

# Cam Followers and Roller Followers Bearings Catalog



## Das Lager, Leading Company of Bearing Industry In Turkey

Das Lager Germany is the most creative, innovative and dynamic as a leading bearing firm in the Turkish industry.

Das Lager Germany is in bearing and auxiliary equipment business.

The company focused on producing and marketing of industrial and automotive bearings in addition to these has placed in an important position in Turkey.

The company produces first class bearings with German design and engineering.

Das Lager Germany has the biggest product range from miniature bearings to full-scale bearings which are used in heavy industry and every field of application.

Besides the standard products, **DAS LAGER GERMANY** can also design the bearings based on the customer's needs and with that it is also called "the bearing tailor".

### OVERVIEW:

Cam Followers are characterized thick-walled outer rings that run directly on a track. The thick outer rings permit high load-carrying capability while minimized both distribution and bending stresses. Sealed designs with interRNA I thrust washers help extend service life under conditions of infrequent lubrication.

**APPLICATIONS:** Ram support rollers, material handling indexing equipment.

**Dimension Tolerance:**  
Hexagonal Socket-Metric Series

Table-1

Stud Type Track Roller Outside Diameter(mm)		Dimensions(mm)	
>	≤	sw	t
	16	3	2.5
19	26	4	2.5
30	35	6	4
40	52	8	5
62	72	12	7
80	90	17	10

**Eccentric Bushing Dimensions**

Table-2

Stud Type Track Roller Outside Diameter(mm)		Dimensions(mm)			
>	≤	de	De	Be	e
	16	6	9	7	0.5
19	19	8	11	9	0.5
22	26	10	13	10	0.5
30	32	12	15	11	0.5
35	35	16	20	14	1
40	40	18	22	16	1
47	52	20	24	18	1
62	72	24	28	22	1
80	90	30	35	29	1.5

## Internal Radial Clearance

Table-3

bore diameter		C2		CN	
(dimensions in mm)		(dimensions in $\mu\text{m}$ )		(dimensions in $\mu\text{m}$ )	
>	$\leq$	min.	max.	min.	max.
1	24	0	25	20	45
24	30	0	25	20	45
30	40	5	30	25	50
40	50	5	35	30	60
50	65	10	40	40	70
65	80	10	45	40	75
80	100	15	50	50	85
100	120	15	55	50	90
120	140	15	60	65	105

## Tolerance for Stud Diameter and Stud Length-Metric Series

Table-4

Stud Diameter		Deviation		Stud Length	Deviation	
(dimensions in mm)		(dimensions in mm)		(dimensions in mm)	(dimensions in $\mu\text{m}$ )	
>	$\leq$	min.	max.	-	min.	max.
3	6	-12	0	All Length	-1	0
6	10	-15	0			
10	18	-18	0			
18	30	-21	0			
30	50	-25	0			
50	80	-30	0			
80	100	-35	0			

## Inner Ring and Width Tolerance-Metric Series (Caged Roller and NUTR Series)

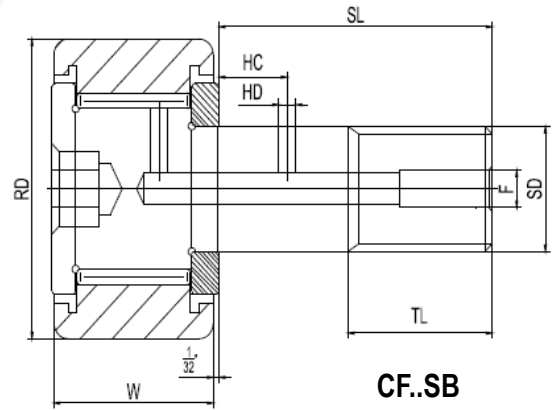
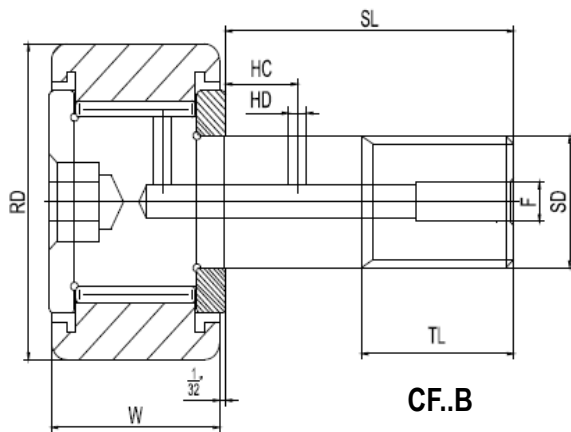
Table-5

bore diameter		Deviation		Width	
(dimensions in mm)		(dimensions in $\mu\text{m}$ )		(dimensions in $\mu\text{m}$ )	
>	$\leq$	min.	max.	min.	max.
2.5	18	-8	0	-120	0
18	30	-10	0	-120	0
30	50	-12	0	-120	0
50	80	-15	0	-120	0
80	120	-20	0	-120	0

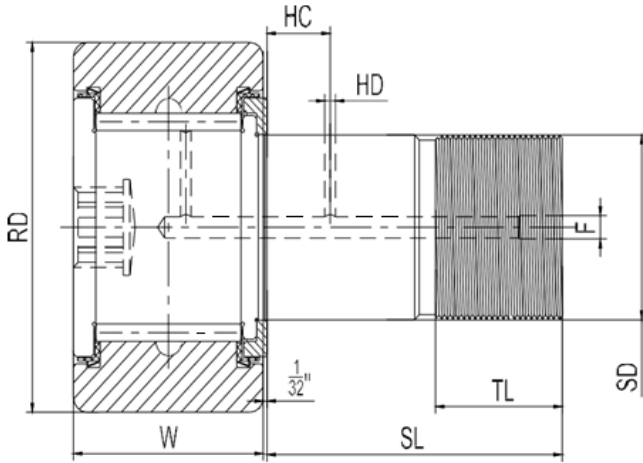
## Outer Ring and Width Tolerance-Metric Series (Caged Roller and NUKR, NUTR Series)

Table-6

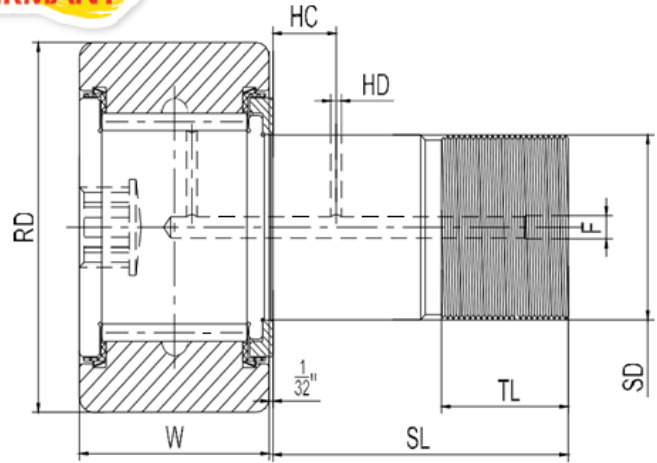
Outside Diameter		Deviation				Width	
(dimensions in mm)		(dimensions in $\mu\text{m}$ )				(dimensions in $\mu\text{m}$ )	
>	$\leq$	Cylindrical		Crowned		min.	max.
10	18	-8	0	-50	0	-120	0
18	30	-9	0	-50	0	-120	0
30	50	-11	0	-50	0	-120	0
50	80	-13	0	-50	0	-120	0
80	120	-15	0	-50	0	-120	0
120	155	-18	0	-50	0	-120	0
150	180	-25	0	-50	0	-150	0
180	240	-30	0	-50	0	-200	0



Das Lager Code	Reference Code	Dimension(Inch)									Load Rating(lbs)		
		RD	W	SD	SL	TL	THR	HC	HD	F	C <sub>r</sub>	C <sub>0r</sub>	
<b>With Seals</b>	<b>Without Seals</b>												
CF1/2NSB	CF1/2NB	0.5	0.344	0.19	1/2	1/4	10-32	--	--	--	720	620	
CF1/2SB	CF1/2B	0.5	0.375	0.19	5/8	1/4	10-32	--	--	--	790	680	
CF9/16SB	CF9/16B	0.5625	0.375	0.19	5/8	1/4	10-32	--	--	--	790	680	
CF5/8NSB	CF5/8NB	0.625	0.406	0.25	5/8	5/16	1/4-28	--	--	--	1085	930	
CF5/8SB	CF5/8B	0.625	0.4375	0.25	3/4	5/16	1/4-28	--	--	--	1215	955	
CF11/16SB	CF11/16B	0.6875	0.4375	0.25	3/4	5/16	1/4-28	--	--	--	1215	955	
CF3/4SB	CF3/4B	0.75	0.5	0.375	7/8	3/8	3/8-24	1/4	3/32	3/16	2065	1660	
CF7/8SB	CF7/8B	0.875	0.5	0.375	7/8	3/8	3/8-24	1/4	3/32	3/16	2065	1660	
CF1SB	CF1B	1	0.625	0.4375	1	1/2	7/16-20	1/4	3/32	3/16	3060	2225	
CF1-1/8SB	CF1-1/8B	1.125	0.625	0.4375	1	1/2	7/16-20	1/4	3/32	3/16	3060	2225	
CF1-1/4SB	CF1-1/4B	1.25	0.75	0.5	1 1/4	5/8	1/2-20	5/16	3/32	3/16	4250	3930	
CF1-3/8SB	CF1-3/8B	1.375	0.75	0.5	1 1/4	5/8	1/2-20	5/16	3/32	3/16	4250	3930	
CF1-1/2SB	CF1-1/2B	1.5	0.875	0.625	1 1/2	3/4	5/8-18	3/8	3/32	3/16	5640	4840	
CF1-5/8SB	CF1-5/8B	1.625	0.875	0.625	1 1/2	3/4	5/8-18	3/8	3/32	3/16	5640	4840	
CF1-3/4SB	CF1-3/4B	1.75	1	0.75	1 3/4	7/8	3/4-16	7/16	3/32	3/16	7920	6385	
CF1-7/8SB	CF1-7/8B	1.875	1	0.75	1 3/4	7/8	3/4-16	7/16	3/32	3/16	7920	6385	
CF2SB	CF2B	2	1.25	0.875	2	1	7/8-14	1/2	1/8	3/16	10570	8090	
CF2-1/4SB	CF2-1/4B	2.25	1.25	0.875	2	1	7/8-14	1/2	1/8	3/16	10570	8090	
CF2-1/2SB	CF2-1/2B	2.5	1.5	1	2 1/4	1 1/8	1-14	9/16	1/8	3/16	16450	11720	
CF2-3/4SB	CF2-3/4B	2.75	1.5	1	2 1/4	1 1/8	1-14	9/16	1/8	3/16	16450	11720	
CF3SB	CF3B	3	1.75	1.25	2 1/2	1 1/4	1 1/4-12	5/8	1/8	1/4	24910	15720	
CF3-1/4SB	CF3-1/4B	3.25	1.75	1.25	2 1/2	1 1/4	1 1/4-12	5/8	1/8	1/4	24910	15720	
CF3-1/2SB	CF3-1/2B	3.5	2	1.375	2 3/4	1 3/8	1 3/8-12	11/16	1/8	1/4	31625	22800	
CF4SB	CF4B	4	2.25	1.5	3 1/2	1 1/2	1 1/2-12	3/4	1/8	1/4	44770	29985	

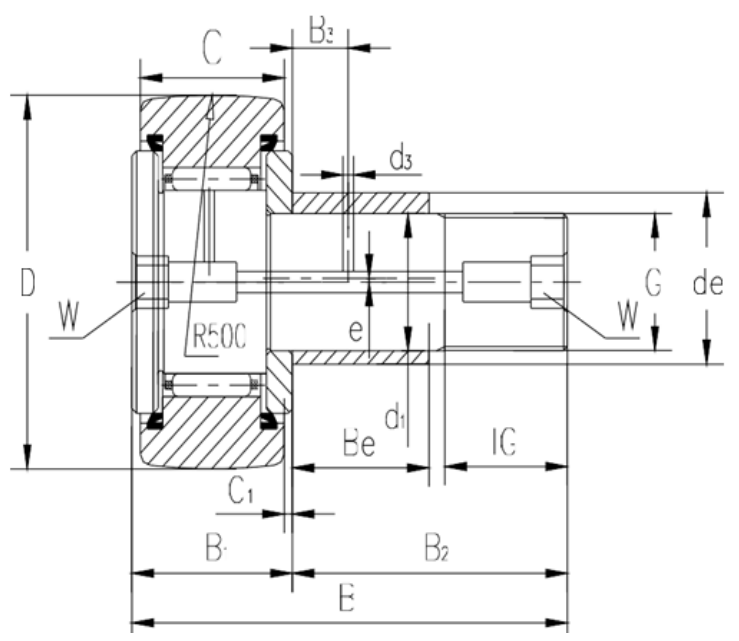
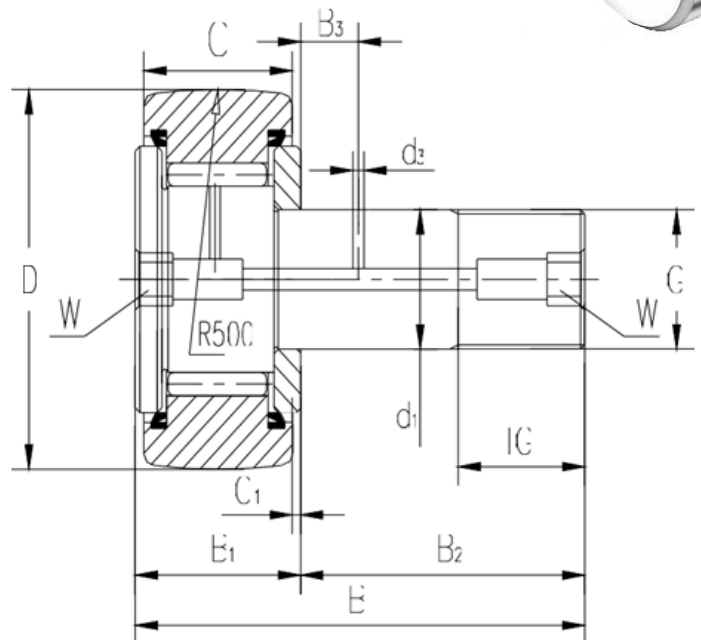
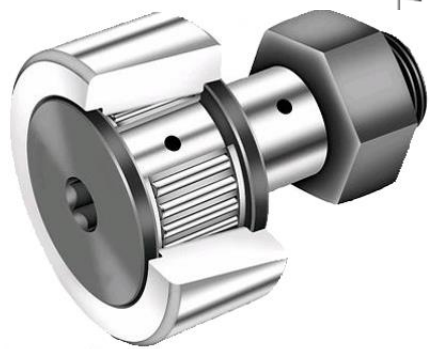
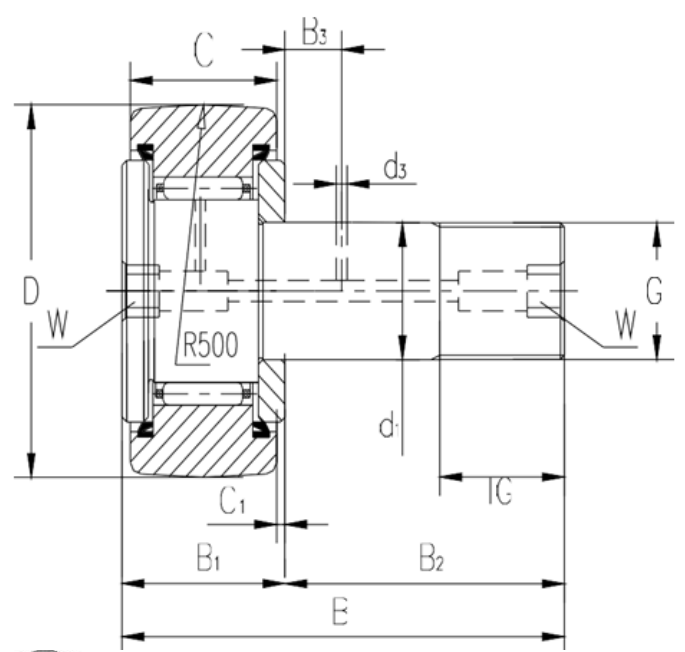
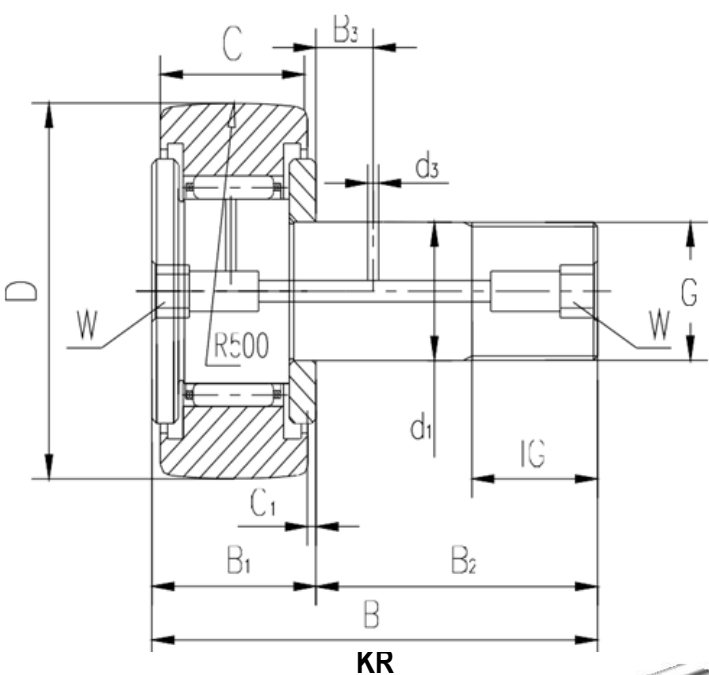


**CFH..SB**



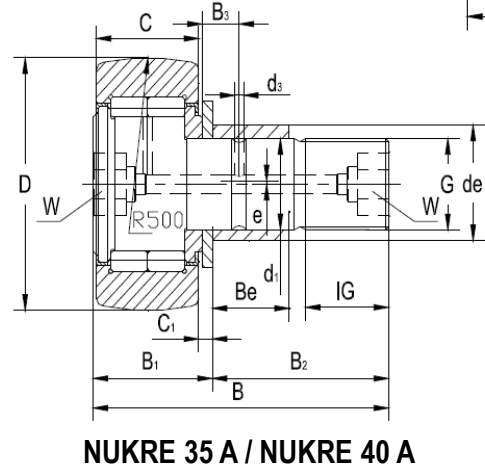
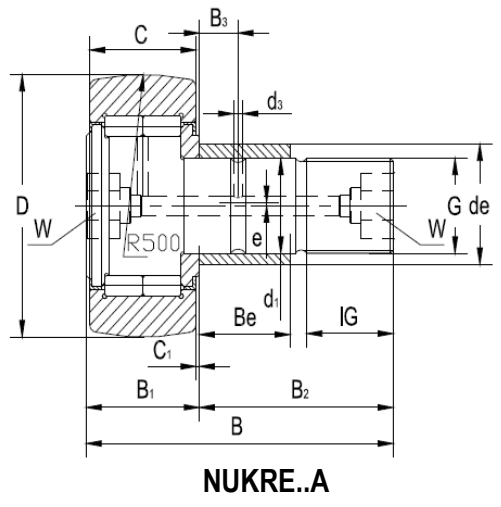
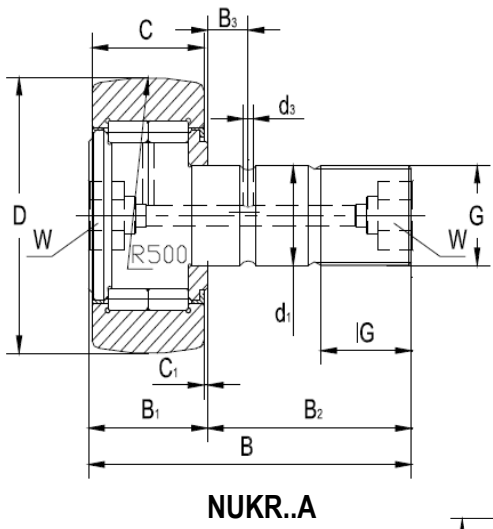
**CFH..B**

Das Lager Code	Reference Code	Dimension(Inch)									Load Rating (lbs)		
		RD	W	SD	SL	TL	THR	HC	HD	F	C <sub>r</sub>	C <sub>0r</sub>	
<b>With Seals</b>	<b>Without Seals</b>												
CFH1/2SB	CFH1/2B	0.5	0.375	0.25	5/8	1/4	1/4-28	--	--	--	1580	680	
CFH9/16SB	CFH9/16B	0.5625	0.375	0.25	5/8	1/4	1/4-28	--	--	--	1580	680	
CFH5/8SB	CFH5/8B	0.625	0.4375	0.3125	3/4	5/16	5/16-24	--	--	--	2480	955	
CFH11/16S	CFH11/16B	0.6875	0.4375	0.3125	3/4	5/16	5/16-24	--	--	--	2480	955	
CFH3/4SB	CFH3/4B	0.75	0.5	0.4375	7/8	3/8	7/16-20	1/4	3/32	3/16	4130	1660	
CFH7/8SB	CFH7/8B	0.875	0.5	0.4375	7/8	3/8	7/16-20	1/4	3/32	3/16	4130	1660	
CFH1SB	CFH1B	1	0.625	0.625	1	1/2	5/8-18	1/4	3/32	3/16	6120	2225	
CFH1-1/8SB	CFH1-1/8B	1.125	0.625	0.625	1	1/2	5/8-18	1/4	3/32	3/16	6120	2225	
CFH1-1/4SB	CFH1-1/4B	1.25	0.75	0.75	1 1/4	5/8	3/4-16	5/16	3/32	3/16	8500	3930	
CFH1-3/8SB	CFH1-3/8B	1.375	0.75	0.75	1 1/4	5/8	3/4-16	5/16	3/32	3/16	8500	3930	
CFH1-1/2SB	CFH1-1/2B	1.5	0.875	0.875	1 1/2	3/4	7/8-14	3/8	3/32	3/16	11280	4840	
CFH1-5/8SB	CFH1-5/8B	1.625	0.875	0.875	1 1/2	3/4	7/8-14	3/8	3/32	3/16	11280	4840	
CFH1-3/4SB	CFH1-3/4B	1.75	1	1	1 3/4	7/8	1-14	7/16	3/32	3/16	15840	6385	
CFH1-7/8SB	CFH1-7/8B	1.875	1	1	1 3/4	7/8	1-14	7/16	3/32	3/16	15840	6385	
CFH2SB	CFH2B	2	1.25	1.125	2	1	1 1/8-12	1/2	1/8	3/16	21140	8090	
CFH2-1/4SB	CFH2-1/4B	2.25	1.25	1.125	2	1	1 1/8-12	1/2	1/8	3/16	21140	8090	
CFH2-1/2SB	CFH2-1/2B	2.5	1.5	1.25	2 1/4	1 1/8	1 1/4-12	9/16	1/8	3/16	32900	11720	
CFH2-3/4SB	CFH2-3/4B	2.75	1.5	1.25	2 1/4	1 1/8	1 1/4-12	9/16	1/8	3/16	32900	11720	
CFH3SB	CFH3B	3	1.75	1.5	2 1/2	1 1/4	1 1/2-12	5/8	1/8	1/4	49820	15720	
CFH3-1/4SB	CFH3-1/4B	3.25	1.75	1.5	2 1/2	1 1/4	1 1/2-12	5/8	1/8	1/4	49820	15720	
CFH3-1/2SB	CFH3-1/2B	3.5	2	1.75	2 3/4	1 3/8	1 3/4-12	11/16	1/8	1/4	63250	22800	
CFH4SB	CFH4B	4	2.25	2	3 1/2	1 1/2	2-12	3/4	1/8	1/4	89540	29985	



Das Lager Code		Dimension(mm)															Load Rating(kN)		Limiting Speed
	With Electric Collar	D	d1	B	B1 max	B2	B3	C	C1	d3	G	IG	W	de	Be	e	C <sub>r</sub>	C <sub>0r</sub>	rpm
KR 13	--	13	5	23	10	13	--	9	0.5	--	M5x0.8	7.5	3	--	--	--	2.5	2.1	17.000
KR 13 PPA	--	13	5	23	10	13	--	9	0.5	--	M5x0.8	7.5	3	--	--	--	2.5	2.1	17.000
KR 16	--	16	6	28	12	16	--	11	0.6	--	M6x1	8	4	--	--	--	3.14	3.2	21.000
KR 16 PPA	KRE 16 PPA	16	6	28	12	16	--	11	0.6	--	M6x1	8	4	9	7	0.5	3.14	3.2	16.500
KRV 16 PPA	--	16	6	28	12	16	--	11	0.6	--	M6x1	8	4	--	--	--	4.73	6.55	12.000
KR 19	--	19	8	32	12	20	--	11	0.6	--	M8X1	10	4	--	--	--	3.47	3.8	17.000
KR 19 PPA	KRE 19 PPA	19	8	32	12	20	--	11	0.6	--	M8X1	10	4	11	9	0.5	3.47	3.8	13.500
KRV 19 PPA	--	19	8	32	12	20	--	11	0.6	--	M8X1	10	4	--	--	--	5.28	9	9.000
KR 22 B	--	22	10	36	13	23	--	12	0.6	--	M10X1	12	5	--	--	--	4.4	5	14.000
KR 22 PPA	KRE 22 PPA	22	10	36	13	23	--	12	0.6	--	M10X1	12	5	13	10	0.5	4.4	5	11.000
KRV 22 PPA	--	22	10	36	13	23	--	12	0.6	--	M10X1	12	5	--	--	--	6.05	9.15	7.000
KR 26 B	--	26	10	36	13	23	--	12	0.6	--	M10X1	12	5	--	--	--	4.84	6	14.000
KR 26 PPA	KRE 26 PPA	26	10	36	13	23	--	12	0.6	--	M10X1	12	5	13	10	0.5	4.84	6	11.000
KRV 26 PPA	--	26	10	36	13	23	--	12	0.6	--	M10X1	12	5	--	--	--	6.82	11	7.000
KR 30 B	--	30	12	40	15	25	6	14	0.6	3	M12X1.5	13	6	--	--	--	6.44	8	11.000
KR 30 PPA	KRE 30 PPA	30	12	40	15	25	6	14	0.6	3	M12X1.5	13	6	15	11	0.5	6.44	8	8.500
KRV 30 PPA	--	30	12	40	15	25	6	14	0.6	3	M12X1.5	13	6	--	--	--	8.97	14.6	6.000
KR 32 B	--	32	12	40	15	25	6	14	0.6	3	M12X1.5	13	6	--	--	--	6.71	8.5	11.000
KR 32 PPA	KRE 32 PPA	32	12	40	15	25	6	14	0.6	3	M12X1.5	13	6	15	11	0.5	6.71	8.5	8.500
KRV 32 PPA	--	32	12	40	15	25	6	14	0.6	3	M12X1.5	13	6	--	--	--	9.35	15.3	6.000
KR 35 B	--	35	16	52	20	33	8	18	0.8	3	M16X1.5	17	8	--	--	--	9.52	13.7	8.500
KR 35 PPA	KRE 35 PPA	35	16	52	20	33	8	18	0.8	3	M16X1.5	17	8	20	14	1	9.52	13.7	6.000
KRV 35 PPA	--	35	16	52	20	33	8	18	0.8	3	M16X1.5	17	8	--	--	--	12.3	23.2	3.800
KR 40 B	--	40	18	58	22	37	8	20	0.8	3	M18X1.5	19	8	--	--	--	10.5	14.6	7.000
KR 40 PPA	KRE 40 PPA	40	18	58	22	37	8	20	0.8	3	M18X1.5	19	8	22	16	1	10.5	14.6	4.800
KRV 40 PPA	--	40	18	58	22	37	8	20	0.8	3	M18X1.5	19	8	--	--	--	14.2	26.5	3.000
KR 47 PPA	KRE 47 PPA	47	20	66	26	41	9	24	0.8	4	M20X1.5	21	10	24	18	1	14.7	24.5	4.000
KRV 47 PPA	--	47	20	66	26	41	9	24	0.8	4	M20X1.5	21	10	--	--	--	19.4	41.5	3.000
KR 52 PPA	KRE 52 PPA	52	20	66	26	41	9	24	0.8	4	M20X1.5	21	10	24	18	1	15.7	27	4.000
KRV 52 PPA	--	52	20	66	26	41	9	24	0.8	4	M20X1.5	21	10	--	--	--	20.9	46.5	3.000
KR 62 PPA	KRE 62 PPA	62	24	80	31	50	11	29	0.8	4	M24X1.5	25	14	28	22	1	24.6	44	4.000
KRV 62 PPA	--	62	24	80	31	50	11	29	0.8	4	M24X1.5	25	14	--	--	--	31.4	72	3.000
KR 72 PPA	KRE 72 PPA	72	24	80	31	50	11	29	0.8	4	M24X1.5	25	14	28	22	1	26	48	4.000
KRV 72 PPA	--	72	24	80	31	50	11	29	0.8	4	M24X1.5	25	14	--	--	--	33	80	3.000
KR 80 PPA	KRE 80 PPA	80	30	100	37	63	15	35	1	4	M30X1.5	32	14	35	29	1.5	36.9	72	3.000
KRV 80 PPA	--	80	30	100	37	63	15	35	1	4	M30X1.5	32	14	--	--	--	45.7	114	2.000
KR 90 PPA	KRE 90 PPA	90	30	100	37	63	15	35	1	4	M30X1.5	32	14	35	29	1.5	38	76.5	3.000

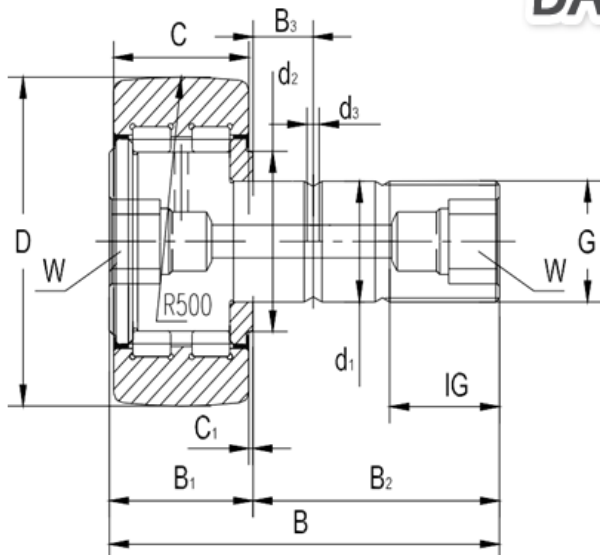




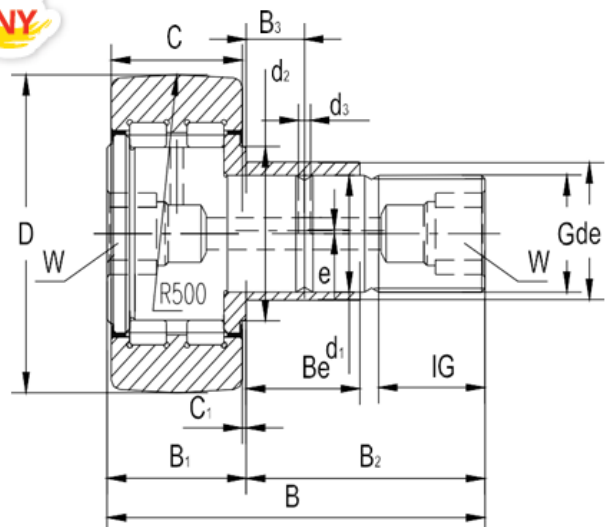
Das Lager Code		Dimension(mm)														Load Rating (kN)		Limiting Speed	
	With Electric Collar	D	d1	B	B1 max	B2	B3	C	C1	d3	G	IG	W	de	Be	e	C <sub>r</sub>	C <sub>0r</sub>	rpm
NUKR 35 A	--	35	16	52	20	33	7.8	18	0.8	3	M16X1.5	17	8	--	--	--	16.8	17.6	6.000
--	NUKRE 35 A	35	16	52	23	30	--	18	3.8	--	M16X1.5	17	8	20	12	1	16.8	17.6	6.000
NUKR 40 A	--	40	18	58	22	37	8	20	0.8	3	M18X1.5	19	8	--	--	--	19	22	5.300
--	NUKRE 40 A	40	18	58	25	34	--	20	3.8	--	M18X1.5	19	8	22	14	1	19	22	5.300
NUKR 47 A	NUKRE 47 A	47	20	66	26	41	9	24	0.8	4	M20X1.5	21	10	24	18	1	28.6	33.5	4.500
NUKR 52 A	NUKRE 52 A	52	20	66	26	41	9	24	0.8	4	M20X1.5	21	10	24	18	1	29.7	36	3.800
NUKR 62 A	NUKRE 62 A	62	24	80	31	50	11	28	1.3	4	M24X1.5	25	14	28	22	1	41.3	48	3.200
NUKR 72 A	NUKRE 72 A	72	24	80	31	50	11	28	1.3	4	M24X1.5	25	14	28	22	1	47.7	58.5	2.800
NUKR 80 A	NUKRE 80 A	80	30	100	37	63	15	35	1	4	M30X1.5	32	14	35	29	1.5	69.3	86.5	2.600
NUKR 90 A	NUKRE 90 A	90	30	100	37	63	15	35	1	4	M30X1.5	32	14	35	29	1.5	78.1	102	2.600

Remark: Other types like NUCF..R and MCFD are also workable.

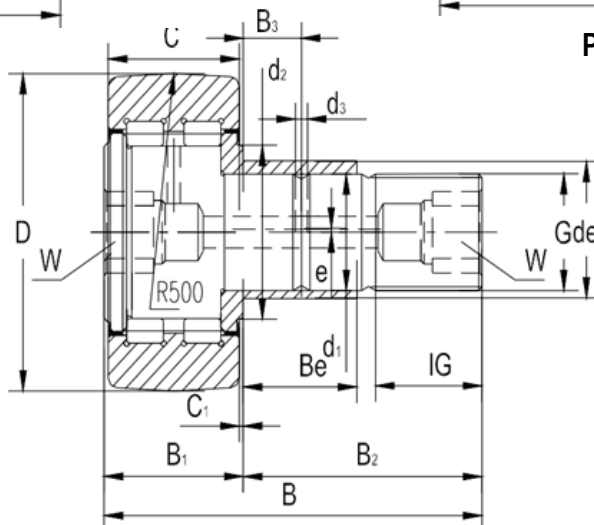




PWKR..2RS



PWKRE..2RS



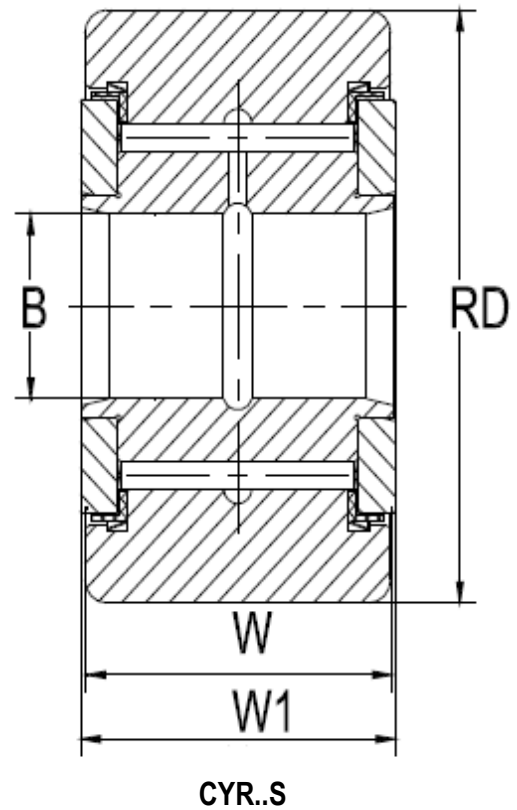
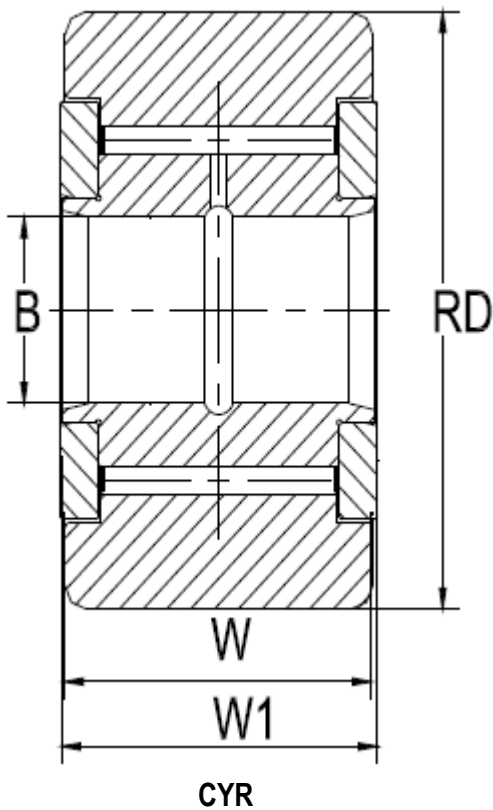
PWKR 35.2RS/ PWKR 40.2RS



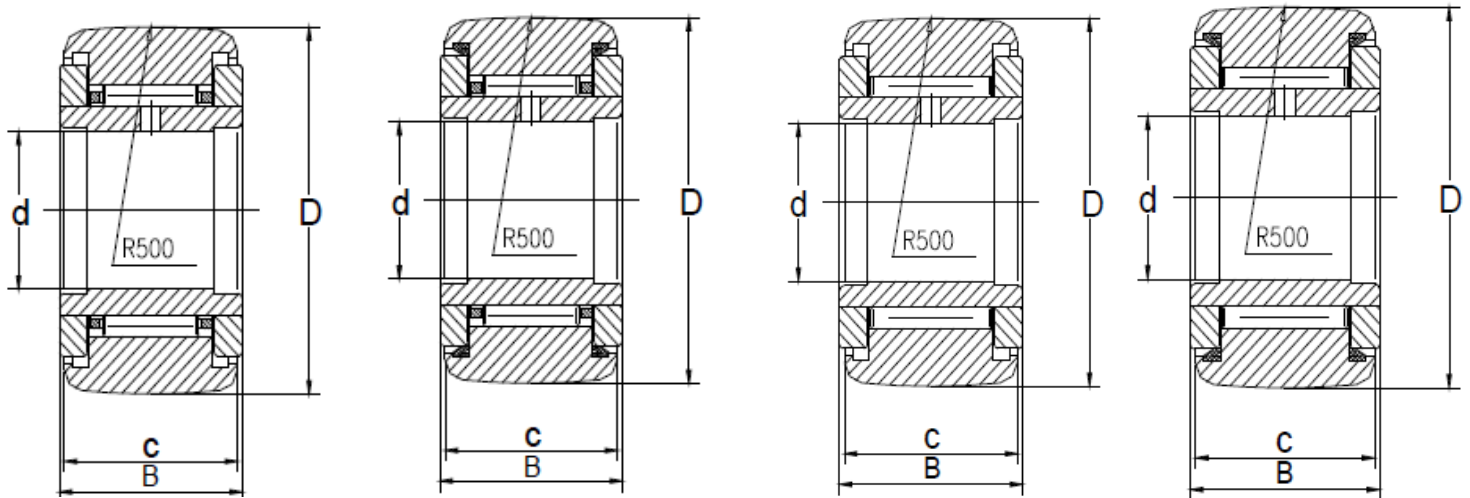
Das Lager Code		Dimension(mm)															Load Rating (kN)		Limiting Speed
	With Electric Collar	D	d1	B	B1 max	B2	B3	C	C1	d3	G	IG	W	de	Be	e	C <sub>r</sub>	C <sub>0r</sub>	rpm
PWKR 35.2RS	--	35	16	52	20	33	7.8	18	0.8	3	M16X1.5	17	8	--	--	--	11.9	11.4	6.000
--	PWKRE 35.2RS	35	16	52	23	30	--	18	3.8	--	M16X1.5	17	8	20	12	1	11.9	11.4	6.000
PWKR 40.2RS	--	40	18	58	22	37	8	20	0.8	3	M18X1.5	19	8	--	--	--	13.8	14.3	5.300
--	PWKRE 40.2RS	40	18	58	25	34	--	20	3.8	--	M18X1.5	19	8	22	14	1	13.8	14.3	5.300
PWKR 47.2RS	PWKRE 47.2RS	47	20	66	26	41	9	24	0.8	4	M20X1.5	21	10	24	18	1	22.9	24.5	4.500
PWKR 52.2RS	PWKRE 52.2RS	52	20	66	26	41	9	24	0.8	4	M20X1.5	21	10	24	18	1	23.8	26.5	3.800
PWKR 62.2RS	PWKRE 62.2RS	62	24	80	31	50	11	28	1.3	4	M24X1.5	25	14	28	22	1	31.9	32.5	3.200
PWKR 72.2RS	PWKRE 72.2RS	72	24	80	31	50	11	28	1.3	4	M24X1.5	25	14	28	22	1	39.6	45	2.800
PWKR 80.2RS	PWKRE 80.2RS	80	30	100	37	63	15	35	1	4	M30X1.5	32	14	35	29	1.5	57.2	73.5	2.600
PWKR 90.2RS	PWKRE 90.2RS	90	30	100	37	63	15	35	1	4	M30X1.5	32	14	35	29	1.5	62.7	85	2.600

Remark: Other types like RBC are also workable.





Das Lager Code		Dimension(inch)				Load Rating(kN)	
Without Seals	With Seals	RD	W	B	W1	C <sub>r</sub>	C <sub>0r</sub>
CYR3/4	CYR3/4S	0.75	0.5	0.25	0.5625	4.130	1.660
CYR7/8	CYR7/8S	0.875	0.5	0.25	0.5625	4.130	1.660
CYR1	CYR1S	1	0.625	0.3125	0.6875	6.120	2.225
CYR1-1/8	CYR1-1/8S	1.125	0.625	0.3125	0.6875	6.120	2.225
CYR1-1/4	CYR1-1/4S	1.25	0.75	0.375	0.8125	8.500	3.930
CYR1-3/8	CYR1-3/8S	1.375	0.75	0.375	0.8125	8.500	3.930
CYR1-1/2	CYR1-1/2S	1.5	0.875	0.4375	0.9375	11.280	4.840
CYR1-5/8	CYR1-5/8S	1.625	0.875	0.4375	0.9375	11.280	4.840
CYR1-3/4	CYR1-3/4S	1.75	1	0.5	1.0625	15.840	6.385
CYR1-7/8	CYR1-7/8S	1.875	1	0.5	1.0625	15.840	6.385
CYR2S	CYR2S	2	1.25	0.625	1.3125	21.140	8.090
CYR2-1/4	CYR2-1/4S	2.25	1.25	0.625	1.3125	21.140	8.090
CYR2-1/2	CYR2-1/2S	2.5	1.5	0.75	1.5625	32.900	11.720
CYR2-3/4	CYR2-3/4S	2.75	1.5	0.75	1.5625	32.900	11.720
CYR3	CYR3S	3	1.75	1	1.8125	49.820	15.720
CYR3-1/4	CYR3-1/4S	3.25	1.75	1	1.8125	49.820	15.720
CYR3-1/2	CYR3-1/2S	3.5	2	1.125	2.0625	63.250	22.800
CYR4	CYR4S	4	2.25	1.25	2.3125	89.540	29.985



NATR

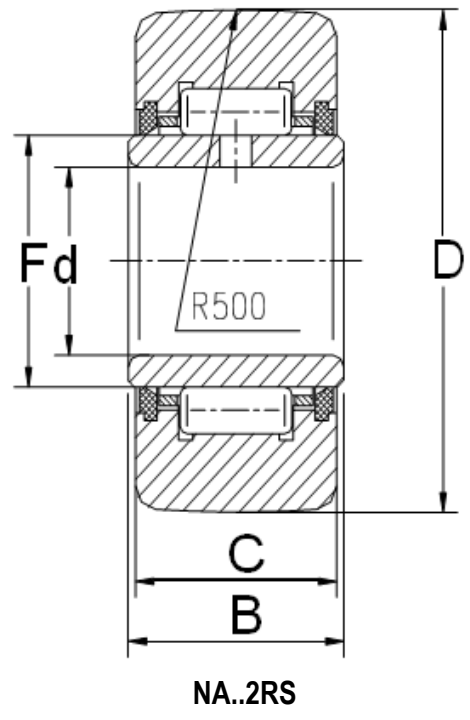
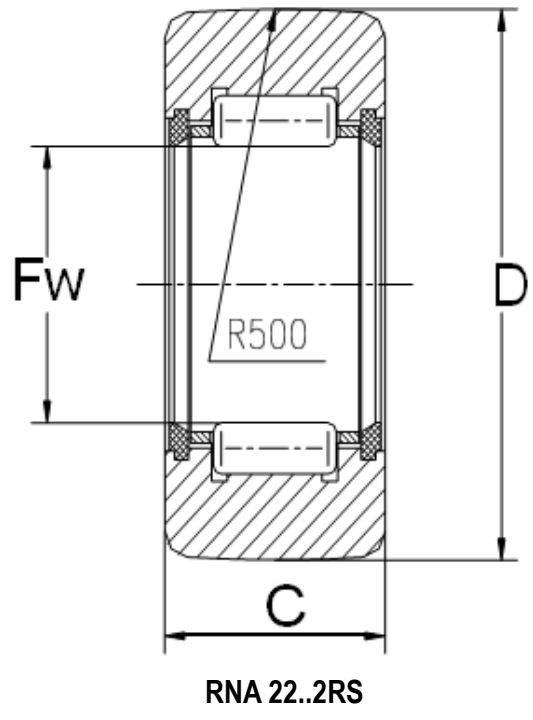
NATR ..PPA

NATV

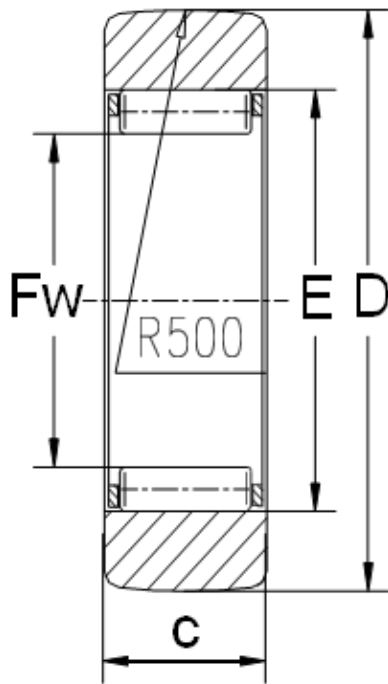
NATV ..PPA

Das Lager Code		Dimension(mm)				Load Rating(kN)		Limiting Speed
Without Seals	With Seals	D	d	B	C	C <sub>r</sub>	C <sub>0r</sub>	rpm
NATR 5	NATR 5 PPA	16	5	12	11	3.14	3.2	19.000
NATV 5	NATV 5 PPA	16	5	12	11	4.73	6.55	13.000
NATR 6	NATR 6 PPA	19	6	12	11	3.47	3.8	18.000
NATV 6	NATV 6 PPA	19	6	12	11	5.28	8	12.000
NATR 8	NATR 8 PPA	24	8	15	14	5.28	6.1	14.000
NATV 8	NATV 8 PPA	24	8	15	14	7.48	11.4	10.000
NATR 10	NATR 10 PPA	30	10	15	14	6.44	8	12.000
NATV 10	NATV 10 PPA	30	10	15	14	8.97	14.6	8.500
NATR 12	NATR 12 PPA	32	12	15	14	6.6	8.5	10.000
NATV 12	NATV 12 PPA	32	12	15	14	9.35	15.3	7.000
NATR 15	NATR 15 PPA	35	15	19	18	9.52	13.7	7.000
NATV 15	NATV 15 PPA	35	15	19	18	12.3	23.2	5.000
NATR 17	NATR 17 PPA	40	17	21	20	10.5	14.6	6.300
NATV 17	NATV 17 PPA	40	17	21	20	14.2	26.5	4.400
NATR 20	NATR 20 PPA	47	20	25	24	14.7	24.5	5.300
NATV 20	NATV 20 PPA	47	20	25	24	19.4	41.5	3.700
NATR 25	NATR 25 PPA	52	25	25	24	14.7	25.5	4.300
NATV 25	NATV 25 PPA	52	25	25	24	19.8	44	3.000
NATR 30	NATR 30 PPA	62	30	29	28	22.9	37.5	3.000
NATV 30	NATV 30 PPA	62	30	29	28	29.2	62	2.100
NATR 35	NATR 35 PPA	72	35	29	28	24.6	43	2.400
NATV 35	NATV 35 PPA	72	35	29	28	31.9	72	2.400
NATR 40	NATR 40 PPA	80	40	32	30	31.9	57	1.800
NATV 40	NATV 40 PPA	80	40	32	30	39.1	88	1.200
NATR 50	NATR 50 PPA	90	50	32	30	30.8	58.5	1.400
NATV 50	NATV 50 PPA	90	50	32	30	39.1	93	1.000

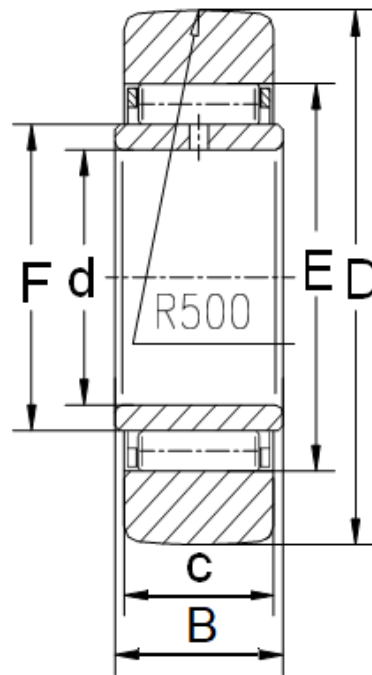
Remark: Other types like MCYRR..S, MCYR..S, NART..UUR, NART..VUUR, MYR..S, MYRV..S, FYCJS..R, FYCRS..R, CXM..UURM, CYM..UURM, FG..EE, NATR ..LL and NATV ..LL are also workable.



Das Lager Code		Dimension(mm)					Load Rating (kN)		Limiting Speed
Without Inner Ring	With Inner Ring	D	d	Fw/ F	B	C	C <sub>r</sub>	C <sub>0r</sub>	rpm
RNA 22/6.2RS	NA 22/6.2RS	19	6	10	12	12	3.52	3	16.000
RNA 22/8.2RS	NA 22/8.2RS	24	8	12	12	12	4.46	4.4	13.000
RNA 2200.2RS	NA 2200.2RS	30	10	14	14	14	6.44	7.2	12.000
RNA 2201.2RS	NA 2201.2RS	32	12	16	14	14	6.93	8.15	10.000
RNA 2202.2RS	NA 2202.2RS	35	15	20	14	14	7.21	9	7.000
RNA 2203.2RS	NA 2203.2RS	40	17	22	16	16	9.35	12.9	6.000
RNA 2204.2RS	NA 2204.2RS	47	20	25	18	18	14.2	17.6	6.300
RNA 2205.2RS	NA 2205.2RS	52	25	30	18	18	16.1	19	3.800
RNA 2206.2RS	NA 2206.2RS	62	30	35	20	20	17.6	24.5	2.800
RNA 2207.2RS	NA 2207.2RS	72	35	42	23	23	22	34	2.000
RNA 2208.2RS	NA 2208.2RS	80	40	48	23	23	27	39	1.700
--	NA 2210.2RS	90	50	58	23	23	27	41.5	1.400

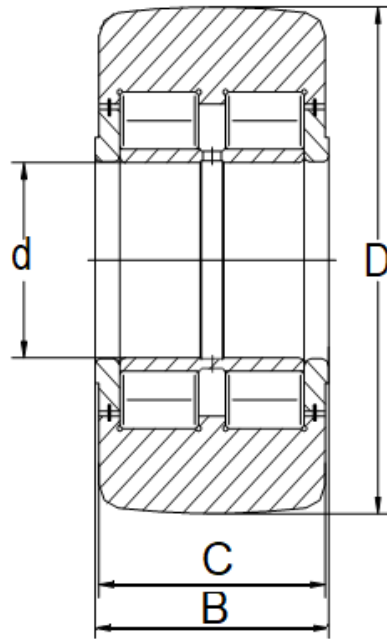


**RSTO**



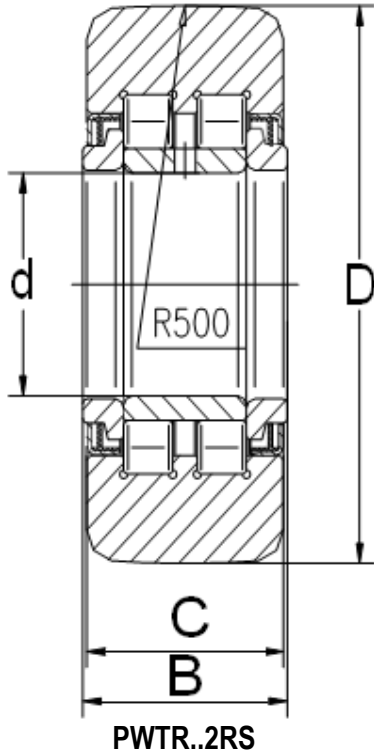
**STO**

Das Lager Code		Dimension(mm)						Load Rating (kN)		Limiting Speed
Without Inner Ring	With Inner Ring	D	d	Fw/ F	B	C	E	C <sub>r</sub>	C <sub>0r</sub>	rpm
RSTO 5 TN	--	16	--	7	--	7.8	10	2,51	2,5	24000
RSTO 6 TN	STO 6 TN	19	6	10	10	9.8	13	3,74	4,5	18000
RSTO 8 TN	STO 8 TN	24	8	12	10	9.8	15	4,13	5,4	16000
RSTO10	STO10	30	10	14	12	12	20	8,25	8,8	12000
RSTO12	STO12	32	12	16	12	12	22	8,8	9,8	10000
RSTO15	STO15	35	15	20	12	12	26	9,13	10,6	7000
RSTO17	STO17	40	17	22	16	16	29	14,2	17,6	6300
RSTO20	STO20	47	20	25	16	16	32	16,1	21,2	5300
RSTO25	STO25	52	25	30	16	16	37	16,5	22,8	4300
RSTO30	STO30	62	30	38	20	20	46	22,9	34,5	3000
RSTO35	STO35	72	35	42	20	20	50	24,6	39	2400
RSTO40	STO40	80	40	50	20	20	58	23,8	39	2400
RSTO45	STO45	85	45	55	20	20	63	25,1	43	1600
RSTO50	STO50	90	50	60	20	20	68	26	45,5	1500



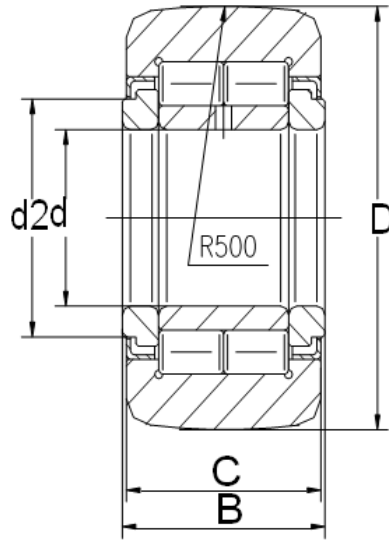
**NNTR..2ZL**

Das Lager Code	Dimension(mm)				Load Rating (kN)		Limiting Speed
	D	d	B	C	C <sub>r</sub>	C <sub>0r</sub>	rpm
NNTR 50X130X65.2ZL	130	50	65	63	179	232	1100
NNTR 55X140X70.2ZL	140	55	70	68	209	275	850
NNTR 60X150X75.2ZL	150	60	75	73	238	320	800
NNTR 65X160X75.2ZL	160	65	75	73	255	345	700
NNTR 70X180X85.2ZL	180	70	85	83	330	455	600
NNTR 80X200X90.2ZL	200	80	90	88	391	540	500
NNTR 90X220X100.2ZL	220	90	100	98	468	670	400
NNTR 100X240X105.2ZL	240	100	105	103	528	780	340
NNTR 110X260X115.2ZL	260	110	115	113	627	930	300
NNTR 120X290X135.2ZL	290	120	135	133	825	1270	260
NNTR 130X310X146.2ZL	310	130	146	144	952	1460	240



Das Lager Code	Dimension(mm)				Load Rating (kN)		Limiting Speed
	D	d	B	C	C <sub>r</sub>	C <sub>0r</sub>	rpm
PWTR 15.2RS	35	15	19	18	11,9	11,4	5500
PWTR 17.2RS	40	17	21	20	14,3	17,9	4800
PWTR 1542.2RS	42	15	19	18	14,2	15	5400
PWTR 1747.2RS	47	17	21	20	14,7	24,5	5300
PWTR 20.2RS	47	20	25	24	22,9	24,5	4000
PWTR 2052.2RS	52	20	25	24	25,5	29	4000
PWTR 25.2RS	52	25	25	24	23,8	26,5	3400
PWTR 2562.2RS	62	25	25	24	29,2	36	3400
PWTR 30.2RS	62	30	29	28	31,9	32,5	2800
PWTR 3072.2RS	72	30	29	28	39,6	45	2800
PWTR 35.2RS	72	35	29	28	35,8	40,5	2500
PWTR 3580.2RS	80	35	29	28	41,8	49	2100
PWTR 40.2RS	80	40	32	30	41,8	49	1500
PWTR 45.2RS	85	45	32	30	42,9	50	1950
PWTR 4090.2RS	90	40	32	30	49,5	62	2000
PWTR 50.2RS	90	50	32	30	42,9	52	1800
PWTR 45100.2RS	100	45	32	30	53,9	69,5	1950
PWTR 50110.2RS	110	50	32	30	57,2	78	1800





**NUTR .. A**

Das Lager Code	Dimension(mm)				Load Rating (kN)		Limiting Speed
	D	d	B	C	C <sub>r</sub>	C <sub>0r</sub>	rpm
NUTR 15 A	35	15	19	18	16,8	17,6	6000
NUTR 17 A	40	17	21	20	19	22	5300
NUTR 1542 A	42	15	19	18	20,1	23,2	6000
NUTR 1747 A	47	17	21	20	22	27	5300
NUTR 20 A	47	20	25	24	28,6	33,5	4000
NUTR 2052 A	52	20	25	24	31,9	39	4500
NUTR 25 A	52	25	25	24	29,7	36	3800
NUTR 2562 A	62	25	25	24	29,2	36	3400
NUTR 30 A	62	30	29	28	41,3	47,5	3200
NUTR 3072 A	72	30	29	28	48,4	61	3200
NUTR 35A	72	35	29	28	45,7	57	2800
NUTR 3580 A	80	35	29	28	51,2	68	2800
NUTR 40 A	80	40	32	30	57,2	72	2400
NUTR 45 A	85	45	32	30	28,3	75	2200
NUTR 4090 A	90	40	32	30	68,2	91,5	2400
NUTR 50 A	90	50	32	30	58,3	78	2000
NUTR 45100 A	100	45	32	30	73,7	104	2200
NUTR 50110 A	110	50	32	30	78,1	116	2000

Thank You For Your Kind Attention



- Contact Us

Eskişehir O.S.B. 20.Cadde No:35 ESKİŞEHİR - Turkey  
+90 (222) 236.22.05  
[info@daslager.com.tr](mailto:info@daslager.com.tr)