



Mast Rollers Combined Bearings



Das Lager, Leading Company of Bearing Industry In Turkey

Das Lager Germany is the most creative, innovative and dynamic as a leading bearing firm in the Turkish industry.

Das Lager Germany is in bearing and auxiliary equipment business. The company focused on producing and marketing of industrial and automotive bearings in addition to these has placed in an important position in Turkey.

The company produces first class bearings with German design and engineering. Das Lager Germany has the biggest product range from miniature bearings to full-scale bearings which are used in heavy industry and every field of application.

Besides the standard products, **DAS LAGER GERMANY** can also design the bearings based on the customers needs and with that it is also called ``the bearing tailor`.

Mast Rollers Combined Bearings

Overview: Bearings for Material Handling System Track roller bearings can withdraw heavy load rating and shock load rating by their thick outer race. They are ready-to-fit units and are intended for all types of cam drives, tracks, conveyors, material handling systems and so on.

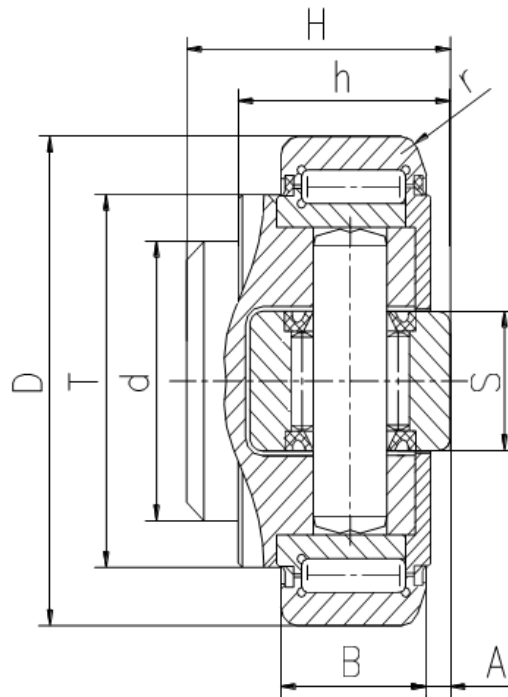


Application: Forklift Masts, Steel Industry, Iron Plants, Tool Machines, Internal Movement Plants



Forklift Mast Roller Bearings:

Standard Combined Bearings (DLSC)

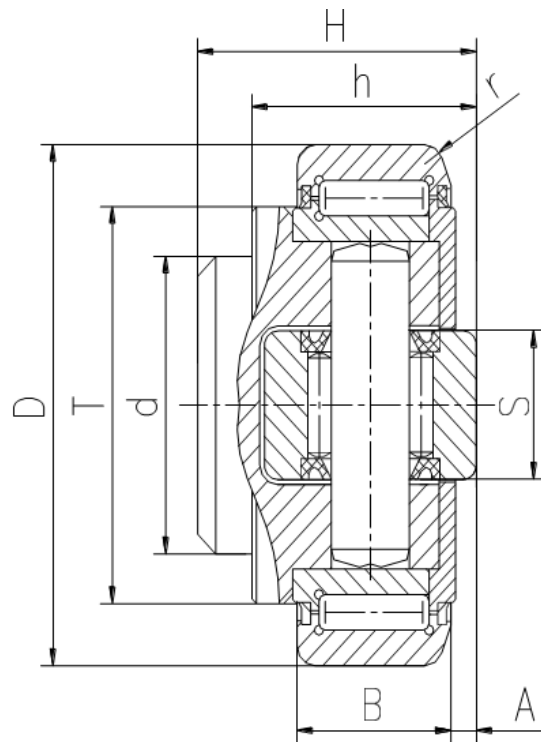


Das Lager Code	Reference Code	Dimension(mm)									Load Rating(kN)			
		d	T	D	H	h	B	A	S	r	Cr	C0r	Ca	Coa
DLSC 4.0053	4.0053	30	40	52.5	33	27	17	5	15	2	24	32	7	7
DLSC 4.0054	4.0054	30	42	62	37.5	30.5	20	2.5	20	3	31	35.5	11.1	11.5
DLSC 4.0055	4.0055	35	48	70.1	44	36	23	2.5	22	4	45.5	51	14	13
DLSC 4.0056	4.0056	40	53	77.7	48	36.5	23	3	24	4	48	56.8	18	18
DLSC 4.0058	4.0058	45	59	88.4	57	44	30	3.5	26	3	68	72	23	23
DLSC 4.0061	4.0061	60	71	108	69	55	31	4	34	5	81	95	31	36
DLSC 4.0062	4.0062	60	80	123	72.3	56	37	5	40	5	110	132	43	50
DLSC 4.0063	4.0063	60	108	149	78.5	58.5	45	5.5	50	3	151	192	68	71
DLSC 4.0011	4.0011	60	108	149	86	67	45	5.5	50	3	151	192	68	71
DLSC 4.0037	4.0037	80	120	174	95	71	55	7	63	7	278	518	132	210
DLSC 4.0039	4.0039	80	120	185	95	71	55	7	63	7	278	518	132	210

Remark:

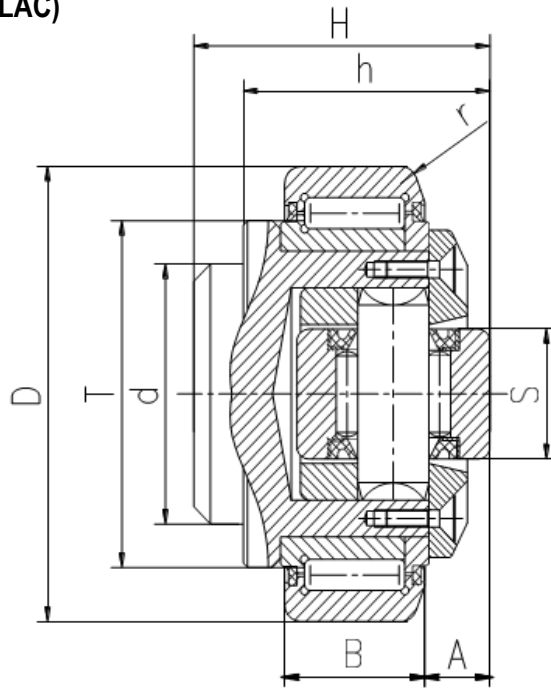
1:DLSC 4.0053 and DLSC 4.0054 are not provided with lubrication hole.

2: DLSC 4.0055 can be provided with lubrication hole on request of the customer..



Das Lager Code		Dimension(mm)									Load Rating(kN)			
ZZ	2RS	d	T	D	H	h	B	A	S	r	Cr	C0r	Ca	Coa
DLMR.001	DLMR.021	30	42	62	37.5	30.5	20	2.5	20	3	31	35.5	11.1	11.5
DLMR.002	DLMR.022	35	48	70.1	44	36	23	2.5	22	4	45.5	51	14	13
DLMR.003	DLMR.023	40	53	77.7	48	36.5	23	3	24	4	48	56.8	18	18
DLMR.005	DLMR.025	45	59	88.9	57	44	30	3.5	26	3	68	72	23	23
DLMR.007	DLMR.027	60	71	108	69	55	31	4	34	5	81	95	31	36
DLMR.009	DLMR.029	60	80	123	72.3	56	37	5	40	5	110	132	43	50
DLMR.010	DLMR.030	60	108	149	78.5	58.5	45	5.5	50	3	151	192	68	71
DLMR.191	~	60	108	149	86	67	45	5.5	50	3	151	192	68	71

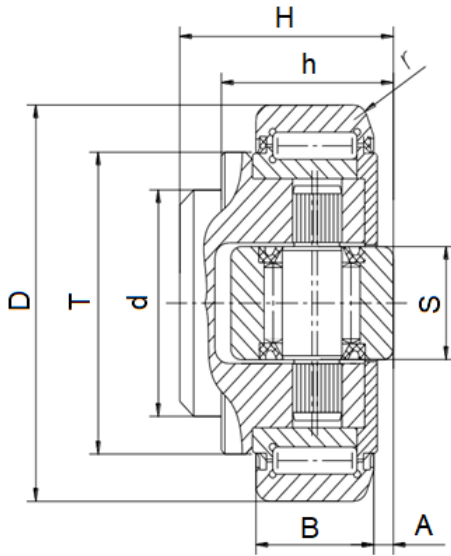
Adjustable Combined Bearing (DLAC)



Das Lager Code	Reference Code	Dimension(mm)									Load Rating(kN)			
		d	T	D	H	h	B	A	S	r	Cr	C0r	Ca	Coa
DLAC 4.0072	4.0072	30	42	62	43	33	20	5.5	16	3	31	35.5	8	8
DLAC 4.0073	4.0073	35	48	70.1	48	40	23	6.5	16	4	45.5	51	14	14
DLAC 4.0074	4.0074	40	53	77.7	51	39.5	23	7	21	4	48	56.8	14	14
DLAC 4.0076	4.0076	45	59	88.4	61	48	30	7	21	3	68	72	15	15
DLAC 4.0078/L	4.0078/L	60	71	108	73	59	31	8	33	5	81	95	31	36
DLAC 4.0079	4.0079	60	80	123	75.8	59.5	37	8	33	5	110	132	31	36
DLAC 4.0080	4.0080	60	103	149	89	69	45	15	50	5	151	192	68	71

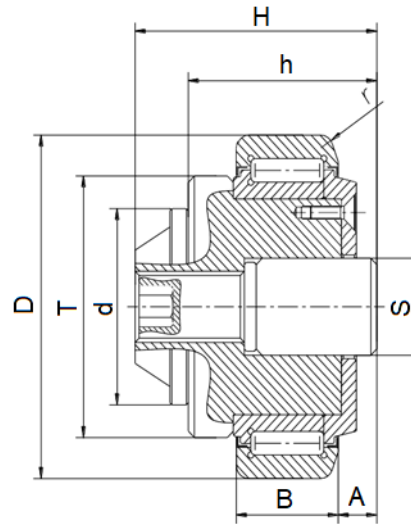
Das Lager Code	Reference Code	Dimension(mm)									Load Rating(kN)			
		d	T	D	H	h	B	A	S	r	Cr	C0r	Ca	Coa
DLMR.146	MR.146	30	42	62	43	33	20	5.5	16	3	31	35.5	8	8
DLMR.147	MR.147	35	48	70.1	48	40	23	6.5	16	4	45.5	51	14	14
DLMR.148	MR.148	40	53	77.7	51	39.5	23	7	21	4	48	56.8	14	14
DLMR.150	MR.150	45	59	88.9	61	48	30	7	21	3	68	72	15	15
DLMR.142	MR.142	60	71	108	73	59	31	8	33	5	81	95	31	36
DLMR.153	MR.153	60	80	123	75.8	59.5	37	8	33	5	110	132	31	36
DLMR.154	MR.154	60	103	149	89	69	45	15	50	5	151	192	68	71

Adjustable Combined Bearings with Eccentric Pin



DLACEP Series

Adjustable Combined Bearings with Cap

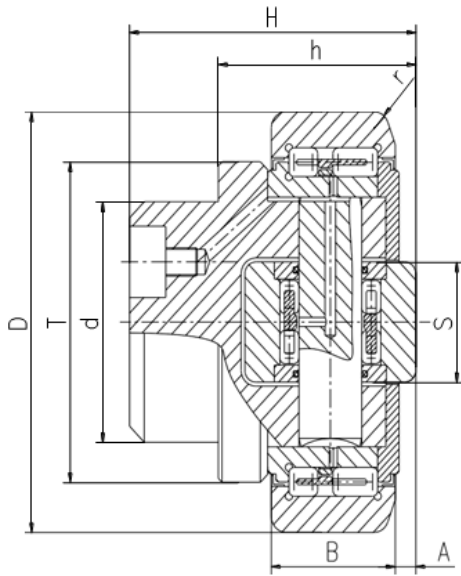


DLACC Series

Das Lager Code	Reference Code	Dimension(mm)										Load Rating(kN)			
		d	T	D	H	h _{min}	h _{max}	B	A	S	r	Cr	C _{0r}	Ca	Coa
DLACEP 4.0454	4.0454	30	42	62	37.5	30.5	32	20	4	20	3	39	65	16	25
DLACEP 4.0455	4.0455	35	48	70.1	44	36	37.5	23	4	20	4	56	93	16	25
DLACEP 4.0456	4.0456	40	54	77.7	48	37	38.5	23	3.5	26	4	59	102	23	36
DLACEP 4.0458	4.0458	45	59	88.4	57	44	45.5	30	4	26	4	85	134	23	36
DLACEP 4.0461	4.0461	60	69	108	69	55	57	31	4	30	5	100	174	32	50
DLACEP 4.0462	4.0462	60	80	123	72.3	56	60	37	4.5	34	5	135	242	41	72
DLACEP 4.0463	4.0463	60	108	149	78.5	58.5	62.5	45	6	34	3	183	353	41	72

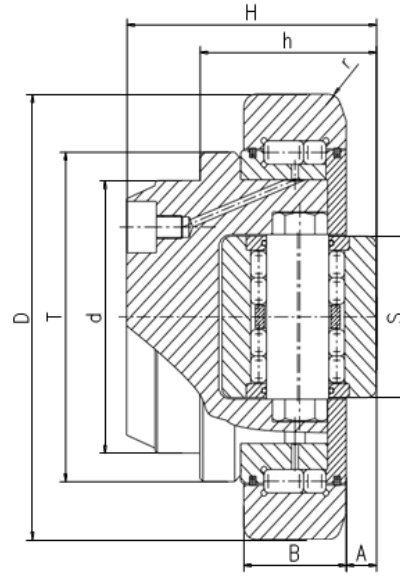
Das Lager Code	Reference Code	Dimension(mm)									Load Rating(kN)	
		d	T	D	H	h	B	A	S	r	Cr	C _{0r}
DLACC 4.0562	4.0562	30	42	62	37.5	30.5	20	2.5	18	3	31	35.5
DLACC 4.0563	4.0563	35	48	70.1	44	36	23	2.5	18	4	45.5	51
DLACC 4.0564	4.0564	40	53	77.7	48	36.5	23	3	18	4	48	56.8
DLACC 4.0565	4.0565	45	59	88.4	57	44	30	3.5	18	3	68	72
DLACC 4.0566	4.0566	60	71	108	69	55	31	4	25	5	81	95
DLACC 4.0567	4.0567	60	80	123	72.3	56	37	5	40	5	110	132
DLACC 4.0568	4.0568	60	108	149	78.5	58.5	45	5.5	40	3	151	192
DLACC 4.0569	4.0569	60	108	149	86	67	45	5.5	40	3	151	192

Combined Bearings for High Speed



DLCHS Series

"JUMBO" Adjustable Combined Bearings

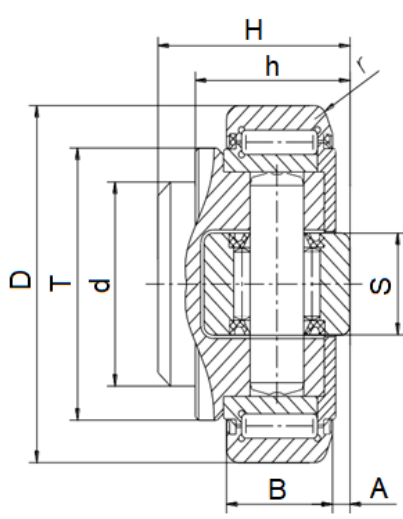


DLACJ Series

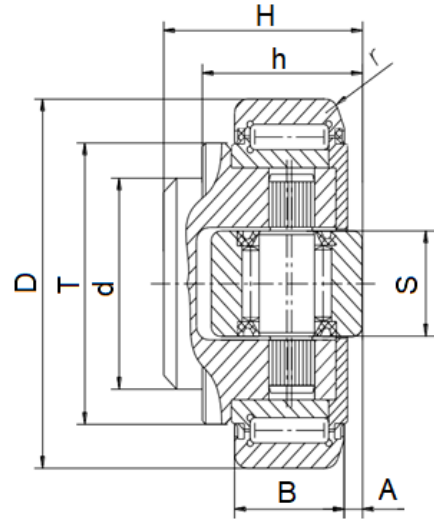
Das Lager Code	Reference Code	Dimension(mm)									Load Rating(kN)			
		d	T	D	H	h	B	A	S	r	Cr	C0r	Ca	Coa
DLCHS 4.0235	4.0235	45	59	88.9	57	44	30	3.5	26	3	46.6	50	26	32.2
DLCHS 4.0227	4.0227	60	71	108	69	55	31	4	34	5	76	90	30	32
DLCHS 4.0228	4.0228	60	80	123	72.3	56	37	5	40	5	106	120	42	46
DLCHS 4.0229	4.0229	60	108	149	86	67	45	5	50	3	129	180	62	70
DLCHS 4.0230	4.0230	80	120	185	90.5	76	55	7	65	7.5	170	250	80	104

Das Lager Code	Reference Code	Dimension(mm)										Load Rating(kN)			
		d	T	D	H	hmin	hmax	B	A	S	r	Cr	C0r	Ca	Coa
DLACJ 4.0089	4.0089	80	113	165	69	53	56	40	5	50	3	213	388	85	133
DLACJ 4.0090	4.0090	100	124	190	84.5	64.5	67.5	48	6.5	60	4	266	500	100	180
DLACJ 4.0091	4.0091	110	146	220	94.5	74.5	77.5	58	6.5	75	5	326	681	138	257
DLACJ 4.0092	4.0092	120	168	250	102	77	80	60	7	75	5	369	748	138	257
DLACJ 4.0093	4.0093	150	188	280	120	89.5	93.5	72	7.5	90	5	489	1066	182	488
DLACJ 4.0094	4.0094	140	218	320	135	110	114	85	10	90	8	542	1370	210	422

Precision Combined Bearings (DLPC)



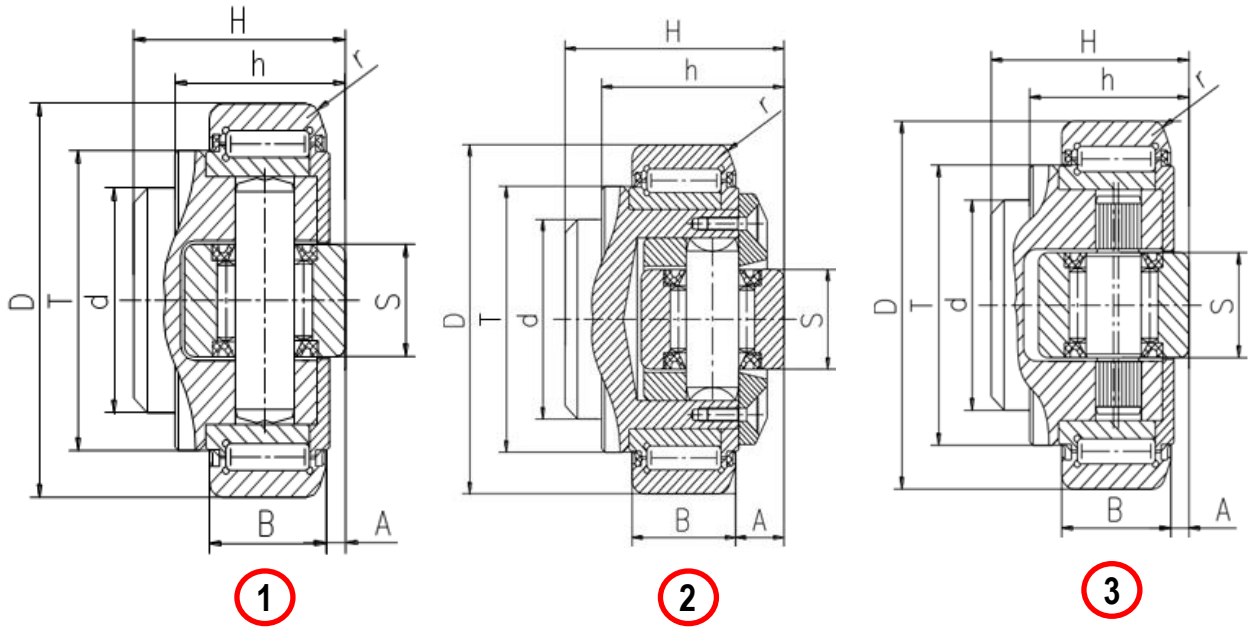
1



2

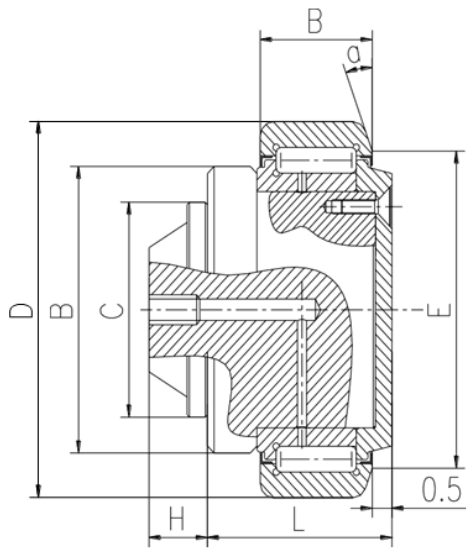
Das Lager Code	Reference Code	Dimension(mm)									Load Rating(kN)			T.Draw. No
		d	T	D	H	hmin/max	B	A	S	r	Cr	C0r	Ca	
DLPC 4.0054	DR 4.0054	30	42	64.8	37.5	30.5	20	2.5	20	3	31	35.5	11	1
DLPC 4.0454	DR 4.0454	30	42	64.8	37.5	30.5/32	20	4	20	3	31	35.5	11	2
DLPC 4.0055	DR 4.0055	35	48	73.8	44	36	23	2.5	22	4	45.5	51	13	1
DLPC 4.0455	DR 4.0455	35	48	73.8	44	36/37.5	23	4	20	4	45.5	51	11	2
DLPC 4.0056	DR 4.0056	40	54	81.8	48	36.5	23	3	26	4	48	56.8	18	1
DLPC 4.0456	DR 4.0456	40	54	81.8	48	37/38.5	23	3.5	26	4	48	56.8	18	2
DLPC 4.0058	DR 4.0058	45	59	92.8	57	44	30	3.5	26	3	68	72	23	1
DLPC 4.0458	DR 4.0458	45	59	92.8	57	44/45.5	30	4	26	4	68	72	23	2
DLPC 4.0061	DR 4.0061	60	71	112	69	55	31	4	34	5	81	95	31	1
DLPC 4.0461	DR 4.0461	60	69	112	69	55/57	31	4	30	5	81	95	25	2
DLPC 4.0062	DR 4.0062	60	80	128	72.3	56	37	5	40	5	110	132	43	1
DLPC 4.0462	DR 4.0462	60	80	128	72.3	56/60	37	5	34	5	110	132	31	2
DLPC 4.0063	DR 4.0063	60	103	154	78.5	58.5	43	5.5	50	3	151	192	68	1
DLPC 4.0463	DR 4.0463	60	108	154	78.5	58.5/62.5	45	6	34	3	151	192	31	2

Combined Bearings for "I" Standard Profiles (DLCSI)



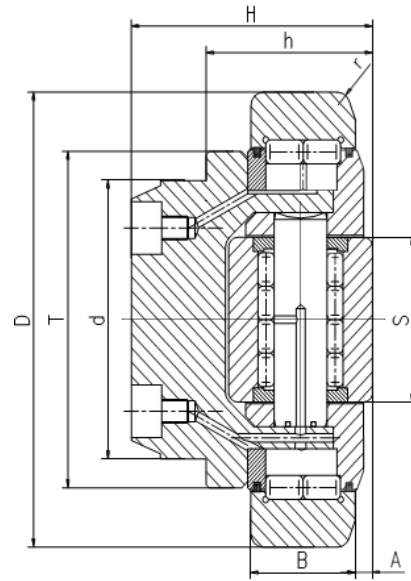
Das Lager Code	Reference Code	Dimension(mm)									Load Rating(kN)			T.Draw. No
		d	T	D	H	h	B	A	S	r	Cr	C0r	Ca	
DLCSI 4.0055/1	4.0055/1	35	48	70.1	40	30.5	23	2.5	22	4	45.5	51	14	1
DLCSI 4.0057	4.0057	40	53	77.7	40.7	29	23	3	26	4	48	56.8	18	1
DLCSI 4.0075	4.0075	40	53	77.7	45	34	23	7	21	4	48	56.8	14	2
DLCSI 4.0457	4.0457	40	54	77.7	40	29	23	3.5	26	4	59	102	23	3
DLCSI 4.0058/52	4.0058/52	45	59	88.4	52	39	30	3.5	26	3	68	72	23	1
DLCSI 4.0059	4.0059	50	67	101	46	33	28	3	30	3	73	82	25	1
DLCSI 4.0077	4.0077	50	67	101	50.5	37.5	28	7	21	3	73	82	18	2
DLCSI 4.0459	4.0459	50	69	101	46	33	26	4.5	30	3	91	140	32	3
DLCSI 4.0060	4.0060	55	71	108	53	39	31	3	34	5	81	95	31	1
DLCSI 4.0078	4.0078	55	71	108	58.5	44.5	31	8	33	5	81	95	31	2
DLCSI 4.0460	4.0460	55	69	108	54	40	31	4	30	5	100	174	32	3
DLCSI 4.0259	4.0259	55	76	124	57	42	33	4.5	33	5	114	194	40	2

Radial Bearings with Pin



DLRP Series

Adjustable Combined Bearings for Heavy Industry

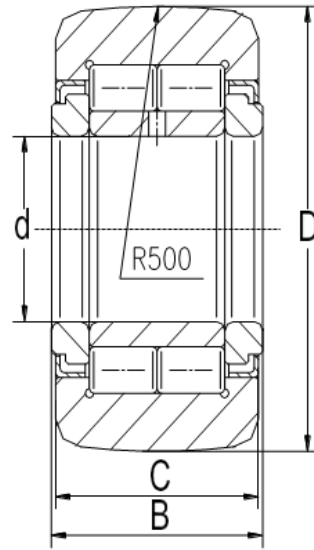
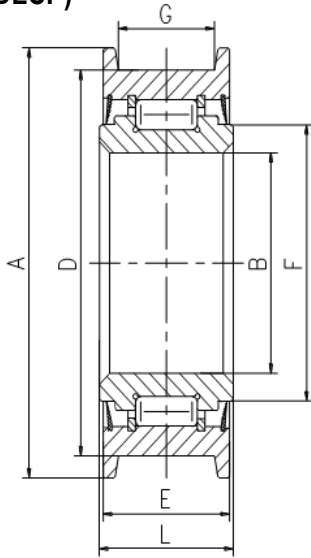


DLACHI Series

Das Lager Code	Reference Code	Dimension(mm)								Load Rating(kN)	
		C	B	D	L	F	H	E	a	Cr	C0r
DLRP 2.0856	2.0856	25	42	62	23.5	20	7	50	20°	31	35.5
DLRP 2.0363	2.0363	30	42	62	29.5	20	7	50	20°	31	35.5
DLRP 2.036	2.036	35	48	70.1	33.5	23	8.2	57	20°	45.5	51
DLRP 9.2102	9.2102	40	53	78.1	32	23	11	61	20°	48	56.8
DLRP 2.0448	2.0448	45	59	88.9	41	30	13	68	20°	68	72
DLRP 2.1641	2.1641	55	69	108	35	31	14	82	20°	81	95
DLRP 2.1641/1	2.1641/1	60	69	108	50.5	31	14	82	20°	81	95
DLRP 2.1642	2.1642	60	79	123	51.5	37	16.3	92	20°	110	132
DLRP 2.1643	2.1643	60	103	149	54	43	20	116	15°	151	192

Das Lager Code	Reference Code	Dimension(mm)									Load Rating(kN)		
		d	T	D	H	h	B	A	S	r	Cr	C0r	Ca
DLACHI 4.0069	4.0069	70	98	170	110	84.7	51	11.2	49.7	4	195	361	83
DLACHI 4.0087	4.0087	80	115	185	100	75	47	15	49.7	3	235	440	83
DLACHI 4.0019	4.0019	110	150	220	115	90	60	13.5	70	5	367	719	103
DLACHI 4.0038	4.0038	130	184	260	120	95	60	18.5	80	5	475	1000	167
DLACHI 4.0274	4.0274	150	187	260	135	110	80	10	80	5	566	1300	167
DLACHI 4.0088	4.0088	140	190	300	140	110	80	10	86	8	549	1272	195
DLACHI 4.0278	4.0278	140	240	315	240	120	89	10	100	8	785	1690	227
DLACHI 4.0084	4.0084	140	240	340	150	120	89	10	100	8	785	1690	227
DLACHI 4.0275	4.0275	170	242	390	200	150	118	11	100	8	1076	2535	227

Chain Pulleys (DLCP)

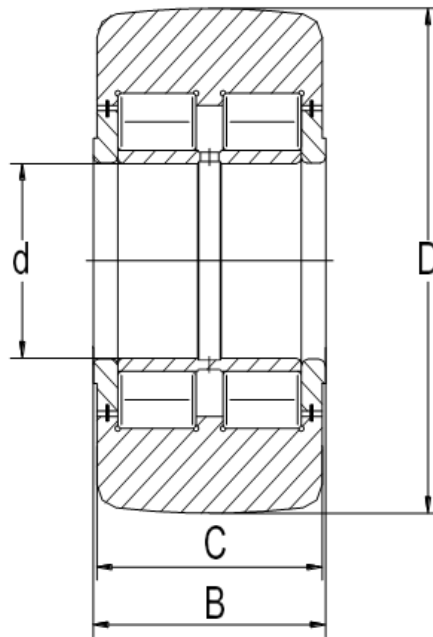


NUTR

Das Lager Code	Reference Code	Dimension(mm)							Load Rating(kN)	
		B	D	L	E	G	A	F	Cr	C0r
DLCP 2.0247/2	2.0247/2	40	70	26.5	25	19	78	50	44	46
DLCP 2.1644/2	2.1644/2	40	80	28	26	19	90	50	50	54
DLCP 2.0252	2.0252	40	80	43	41	33	98	50	81	87
DLCP 2.1080/2	2.1080/2	40	85	38	36	28	98	50	64	70
DLCP 2.0241/2	2.0241/2	50	100	42	40	33	115	60	89	162
DLCP 2.1190	2.1190	55	110	58	56	45	135	65	135	146
DLCP 2.1191	2.1191	55	130	67	65	55	158	65	200	218

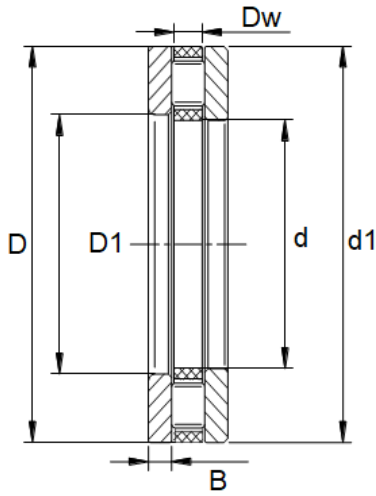
Das Lager Code	Dimension(mm)				Limiting Speed (rpm)	Load Rating(kN)	
	D	d	B	C		Cr	C0r
NUTR15	35	15	19	18	6500	15.3	18.7
NUTR17	40	17	21	20	5500	18.7	24.9
NUTR1542	42	15	19	18	6500	18.3	24.3
NUTR1747	47	17	21	20	5500	21.6	30.5
NUTR20	47	20	25	24	4200	28.5	37.5
NUTR2052	52	20	25	24	4200	32	44
NUTR25	52	25	25	24	4200	29	40.5
NUTR2562	62	25	25	24	4200	35.5	54
NUTR30	62	30	29	28	2600	40	55
NUTR3072	72	30	29	28	2600	48	70
NUTR35	72	35	29	28	2100	45	65
NUTR3580	80	35	29	28	2100	51	78
NUTR40	80	40	32	30	1600	56	80
NUTR45	85	45	32	30	1400	56	83
NUTR4090	90	40	32	30	1600	66	101
NUTR50	90	50	32	30	1300	56	86
NUTR45100	100	45	32	30	1400	72	115
NUTR50110	110	50	32	30	1300	76	128

Steel Industry Bearings:
Yoke Type Track Rollers (NNTR)



Das Lager Code	Dimension(mm)				Limiting Speed (rpm)	Load Rating(kN)	
	D	d	B	C		Cr	C0r
NNTR50X130X65ZZ	130	50	65	63	1100	211	324
NNTR55X140X70ZZ	140	55	70	68	850	285	524
NNTR60X150X75ZZ	150	60	75	73	800	298	471
NNTR65X160X75ZZ	160	65	75	73	700	313	460
NNTR70X180X85ZZ	180	70	85	83	600	409	668
NNTR80X200X90ZZ	200	80	90	88	500	473	739
NNTR90X220X100ZZ	220	90	100	98	400	607	909
NNTR100X240X105ZZ	240	100	105	103	340	689	1090
NNTR110X260X115ZZ	260	110	115	113	300	813	1303
NNTR120X290X135ZZ	290	120	135	133	260	1060	1745
NNTR130X310X146ZZ	310	130	146	144	240	1214	2193
NNTR140X340X162ZZ	340	140	162	160	200	1494	2295
NNTR150X360X173ZZ	360	150	173	171	180	1668	2604

Axial Cylindrical Roller Bearings



811, 812



893, 894

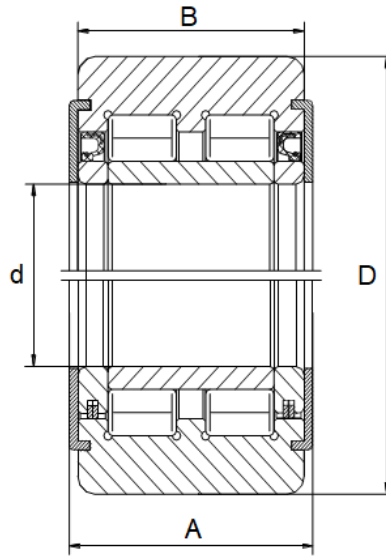


Das Lager Code	Dimension(mm)						Limiting Speed (rpm)	Load Rating(N)	
	d	D1	D	d1	Dw	B		Cr	C0r
81106	30	32	47	47	5	3	7500	31,25	82
81206	30	32	52	52	7.5	4.25	7100	57	137,5
89306	30	32	60	60	5.5	6.25	6400	69	197
81107	35	37	52	52	5	3.5	6600	34	97
81207	35	37	62	62	7.5	5.25	5900	71	194,5
89307	35	37	68	68	6	7	5600	80	237
81108	40	42	60	60	6	3.5	5300	59,5	143
81208	40	42	68	68	9	5	5200	95	260
89308	40	42	78	78	7	7.5	4800	122	385
81109	45	47	65	65	6	4	5300	52	158
81209	45	47	73	73	9	5.5	4850	94	260
89309	45	47	85	85	7.5	8.25	4400	139	445
81110	50	52	70	70	6	4	4800	54,75	171,5
81210	50	52	78	78	9	6.5	4450	104,75	307,5
89310	50	52	95	95	8	9.5	3950	167	560
81111	55	57	78	78	6	5	4300	79,25	292,5
81211	55	57	90	90	11	7	4000	139,5	397,5
89311	55	57	105	105	9	10.5	3600	184	600
81112	60	62	85	85	7.5	4.75	4000	91,5	307,5
81212	60	62	95	95	11	7.5	3700	157,5	472,5
89312	60	62	110	110	9	10.5	3350	196	670
89412	60	62	130	130	14	14	3000	390	1220
81113	65	67	90	90	7.5	5.25	3700	95	330
81213	65	67	100	100	11	8	3450	158,5	495
89313	65	67	115	115	9	10.5	3200	194	670
89413	65	68	140	140	15	15	2800	445	1410
81114	70	72	95	95	7.5	5.25	3500	98,75	355
81214	70	72	105	105	11	8	3250	166,5	540

Das Lager Code	Dimension(mm)						Limiting Speed (rpm)	Load Rating(N)	
	d	D1	D	d1	Dw	B		Cr	C0r
89314	70	72	125	125	10	12	2950	239	830
89414	70	73	150	150	16	16	2650	475	1500
81115	75	77	100	100	7.5	5.75	3300	95	342,5
81215	75	77	110	110	11	8	3100	155	495
89315	75	77	135	135	11	12.5	2750	285	1010
89415	75	78	160	160	17	17	2400	500	1580
81116	80	82	105	105	7.5	5.75	3100	93,75	342,5
81216	80	82	115	115	11	8.5	2900	180,5	620
89316	80	82	140	140	11	12.5	2600	305	1110
89416	80	83	170	170	18	18	2260	560	1770
81117	85	87	110	110	7.5	5.75	2950	100,5	375
81217	85	88	125	125	12	9.5	2750	193,5	650
89317	85	88	150	150	12	13.5	2400	325	1140
89417	85	88	180	180	19	19.5	2130	620	1980
81118	90	92	120	120	9	6.5	2750	125,5	457,5
81218	90	93	135	135	14	10.5	2550	261	872,5
89318	90	93	155	155	12	13.5	2310	335	1200
89418	90	93	190	190	20	20	2010	680	2200
81120	100	102	135	135	11	7	2460	172,5	640
81220	100	103	150	150	15	11.5	2300	305	1070
89320	100	103	170	170	13	14.5	2090	380	1400
89420	100	103	210	210	22	22.5	1810	850	2850
81122	110	112	145	145	11	7	2260	185	690
81222	110	113	160	160	15	11.5	2130	292,5	1015
89322	110	113	190	190	15	16.5	1890	500	1870
89422	110	113	230	230	24	24.5	1660	1000	3400
81124	120	122	155	155	11	7	2100	192	747,5
81224	120	123	170	170	15	12	1990	287,5	1015
89324	120	123	210	210	17	18.5	1710	640	2420
89424	120	123	250	250	26	26	1520	1160	4000
81126	130	132	170	170	12	9	1930	227,5	890
81226	130	133	190	187	19	13	1800	530	1490
89326	130	134	225	225	18	20	1590	710	2700
89426	130	134	270	270	28	28.5	1400	1330	4600
81128	140	142	180	178	12	9.5	1800	234	945
81228	140	143	200	197	19	13.5	1700	407,5	1425
89328	140	144	240	240	19	20.5	1490	820	3200
89428	140	144	280	280	28	28.5	1340	1380	4950
81130	150	152	190	188	12	9.5	1700	241	1010
81230	150	153	215	212	21	14.5	1540	527,5	1920

Das Lager Code	Dimension(mm)						Limiting Speed (rpm)	Load Rating(N)	
	d	D1	D	d1	Dw	B		Cr	C0r
89330	150	154	250	250	19	20.5	1410	840	3350
89430	150	154	300	300	30	30	1240	1570	5700
81132	160	162	200	198	12	9.5	1600	243	1035
81232	160	163	225	222	21	15	1470	540	2015
89432	160	164	320	320	32	31.5	1160	1780	6500
81134	170	172	215	213	14	10	1500	322,5	1360
81234	170	173	240	237	22	16.5	1370	610	2360
89434	170	174	340	340	34	34.5	1090	1990	7400
81136	180	183	225	222	14	10	1420	305	1285
81236	180	183	250	247	22	17	1310	625	2420
89436	180	184	360	360	36	36.5	1040	2210	8200
81138	190	193	240	237	15	11	1330	350	1480
81238	190	194	270	267	26	18	1220	787,5	2950
89438	190	195	380	380	38	38.5	990	2450	9200
81140	200	203	250	247	15	11	1270	352,5	1525
81240	200	204	280	277	26	18	1170	810	3125
89440	200	205	400	400	40	41	940	2700	-
81144	220	223	270	267	15	11	1170	377	1715
81244	220	224	300	297	26	18.5	1080	850	3400
89444	220	225	420	420	40	41	870	2900	-
81148	240	243	300	297	18	13.5	1050	537,5	2475
81248	240	244	340	335	32	23	960	1235	4950
89448	240	245	440	440	40	41	830	3000	-
81152	260	263	320	317	18	13.5	980	555	2625
81252	260	264	360	355	32	23.5	910	1290	5350
89452	260	265	480	480	44	44	760	3600	-
81156	280	283	350	347	22	15.5	900	775	3600
81256	280	284	380	375	32	24	850	1310	5550
89456	280	285	520	520	48	48.5	700	4200	-
81160	300	304	380	376	25	18.5	840	960	4450
81260	300	304	420	415	38	28.5	780	1730	7250
89460	300	305	540	540	48	48.5	670	4350	-
81164	320	324	400	396	25	19	790	1100	4750
89464	320	325	580	575	68	43.5	630	5500	-
81172	360	436	440	364		20	630	810	4410
81272	360	495	500	365		32.5	600	1944	9360
81176	380	456	460	384		20	630	837	4470
81276	380	515	520	385		33.5	560	2000	9500

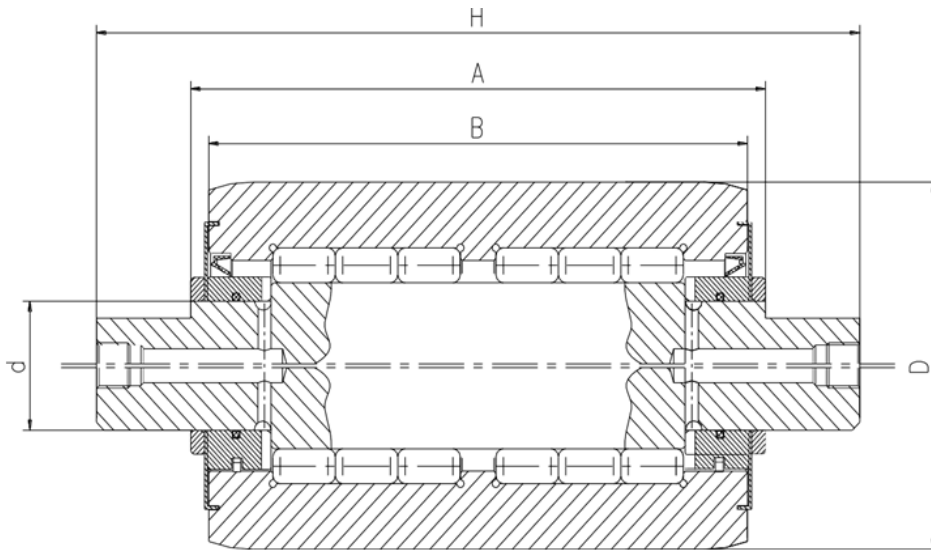
Simple Counter Rollers (DLSCR)



Das Lager Code	Reference Code	Dimension(mm)				Limiting Speed (rpm)	Load Rating(kN)	
		d	D	A	B		Cr	C0r
DLSCR 9.1907	9.1907	20	48	36	27	1935	36	53
DLSCR 9.1867	9.1867	25	52	42	40	1730	38	60
DLSCR 9.2161	9.2161	25	52	48	46	1730	38.6	60
DLSCR 9.1857	9.1857	25	65	45	41	1210	68	95
DLSCR 9.2160	9.2160	25	65	45	41	1460	78	111
DLSCR 2.1077	2.1077	30	72	42	40	1280	73	105
DLSCR 9.2323	9.2323	30	72	42	40	1280	70	100
DLSCR 2.1741	2.1741	25	74	50	47	1370	99	139
DLSCR 2.1031	2.1031	40	80	33	31	3570	39.5	32
DLSCR 2.1721	2.1721	35	80	54	50	1150	103	163
DLSCR 2.1197	2.1197	35	80	48	44	1100	100	161
DLSCR 9.2169	9.2169	30	80	48	44	1150	85	141
DLSCR 2.0059	2.0059	40	90	35	32	850	57	62
DLSCR 9.2415	9.2415	40	90	47	44	1000	104	160
DLSCR 9.2585	9.2585	30	90	51	49	1200	105	150.5
DLSCR 9.2587	9.2587	40	90	51	48	1000	100	152
DLSCR 9.2030	9.2030	40	95	55	51	710	124	192
DLSCR 2.1193	2.1193	45	100	40	37	900	85.5	76
DLSCR 9.2582	9.2582	40	100	50	47	950	132	196
DLSCR 2.1198	2.1198	50	105	60	56	850	189	314
DLSCR 9.2296	9.2296	40	105	50	46	880	138	210
DLSCR 2.1352	2.1352	45	110	60	56	800	200	340
DLSCR 2.1537	2.1537	45	110	60	56	900	155	232
DLSCR 9.2204	9.2204	35	114	54	52	980	132.5	196
DLSCR 9.2168	9.2168	50	118	50	47	600	138	153
DLSCR 2.1249	2.1249	50	120	58	55	800	161	245
DLSCR 2.1711	2.1711	50	120	65	60	810	147	230

Das Lager Code	Reference Code	Dimension(mm)				Limiting Speed (rpm)	Load Rating(kN)	
		d	D	A	B		Cr	C0r
DLSCR 9.2012	9.2012	50	120	70	66	816	231	390
DLSCR 2.0699	2.0699	50	120	50	47	700	156	270
DLSCR 9.2352	9.2352	55	120	52	49	700	156	270
DLSCR 9.2374	9.2374	45	120	58	55	800	161	245
DLSCR 9.2423	9.2423	50	120	68	65	800	176	264
DLSCR 2.1384	2.1384	55	122	56	53	770	168	261
DLSCR 9.2018	9.2018	55	122	56	52	780	152	240
DLSCR 2.0837	2.0837	70	122.5	32	30	670	128	200
DLSCR 2.0434	2.0434	50	127	50	46	780	156	248
DLSCR 2.0978	2.0978	65	130	44	42	660	150	143
DLSCR 9.2011	9.2011	50	130	70	66	710	255	451
DLSCR 2.0054	2.0054	50	130	67	63	600	200	207
DLSCR 2.0531	2.0531	50	130	48	47	780	202	316
DLSCR 2.0984	2.0984	60	135	44	42	600	155	150
DLSCR 2.0695	2.0695	55	140	60	56	500	180.5	209
DLSCR 2.0971	2.0971	65	140	60	56	500	206.5	211
DLSCR 9.2100	9.2100	55	145	76	~	700	251	393
DLSCR 2.1022	2.1022	65	150	55	51	620	220	324
DLSCR 2.0696	2.0696	70	150	63	61	570	223.5	259
DLSCR 9.2125	9.2125	65	152	65	~	650	320	583
DLSCR 2.1220	2.1220	65	160	78	75	620	330	531
DLSCR 2.1567	2.1567	50	160	86	84	690	352	613
DLSCR 2.0294	2.0294	60	160	104	100	610	476	806
DLSCR 2.0697	2.0697	65	160	71	67	650	286	452
DLSCR 9.2322	9.2322	60	160	73	68	650	269	434
DLSCR 2.1383	2.1383	65	180	75	68	530	365	615
DLSCR 9.1966	9.1966	90	180	102	98	450	493	1107
DLSCR 9.2239	9.2239	65	180	66	63	530	308	528
DLSCR 9.2283	9.2283	90	180	102	98	480	495	996
DLSCR 9.2008	9.2008	90	200	92	88	460	525	890
DLSCR 2.0575	2.0575	120	200	57	55	390	311	632
DLSCR 9.2268	9.2268	80	200	92	88	375	482	870
DLSCR 2.0646	2.0646	85	205	112	110	1300	595	1000
DLSCR 2.0677	2.0677	100	210	101	100	420	560	978
DLSCR 9.2158	9.2158	75	210	148	146	490	765	1433
DLSCR 9.2216	9.2216	80	220	127	125	850	638	1143
DLSCR 9.2270	9.2270	90	220	120	117	460	655	1182
DLSCR 2.1029	2.1029	110	234	104	100	350	480	590
DLSCR 9.2311	9.2311	120	250	94	90	370	611	1112
DLSCR 9.2312	9.2312	120	250	124	121	370	878	1687
DLSCR 2.1558	2.1558	120	260	132	129	770	871	1677
DLSCR 9.2190	9.2190	120	260	184	180	375	1161	2537
DLSCR 9.1967	9.1967	120	280	124	121	350	892	1665

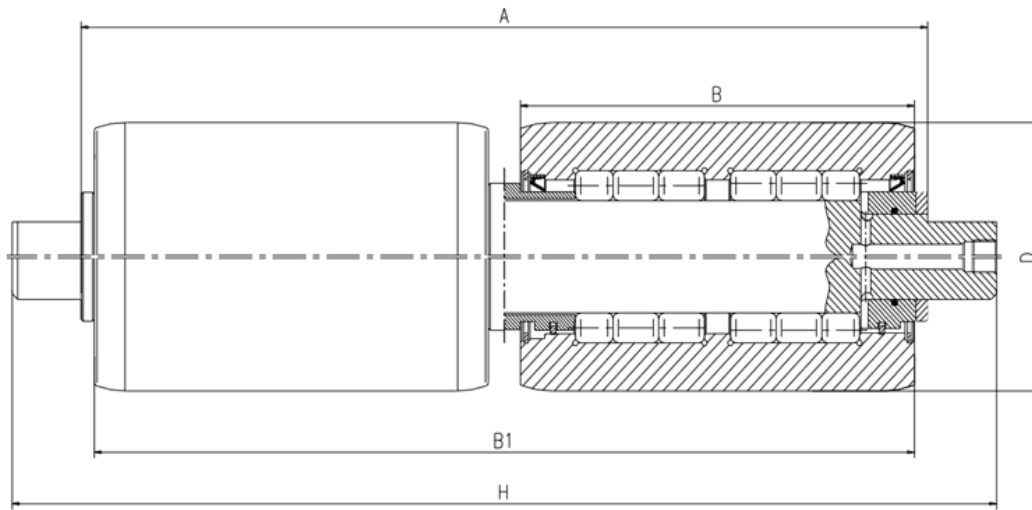
Pivot Counter Rollers (DLPCR)



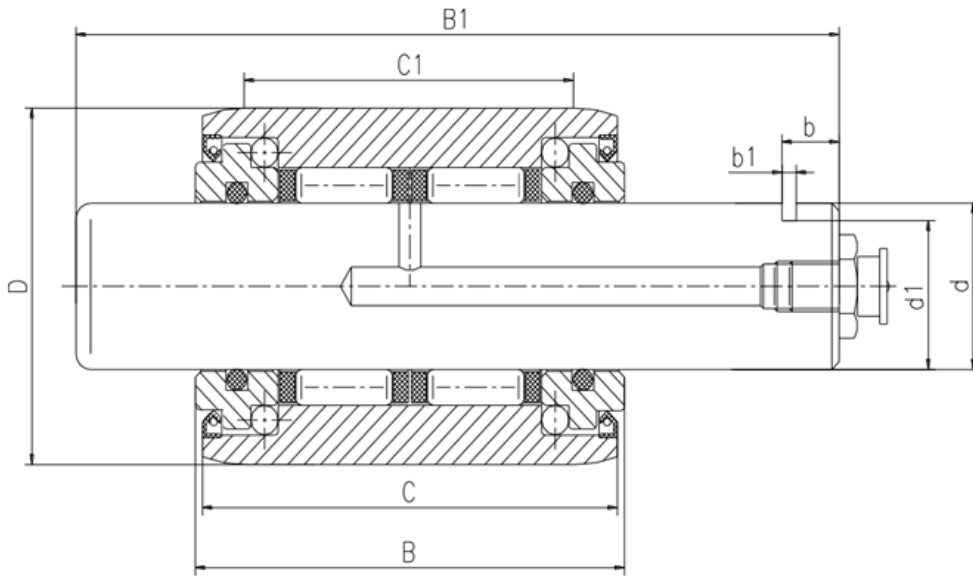
Das Lager Code	Reference Code	Dimension(mm)					Limiting Speed (rpm)	Load Rating(kN)	
		d	D	H	A	B		Cr	C0r
DLPCR 2.1719	2.1719	12	25.5	61.5	32	30	27000	8.3	12.2
DLPCR 2.1731	2.1731	12	25.5	61.5	32	30	27000	8.3	12.2
DLPCR 2.1089	2.1089	15	33	110	82	80	2850	80	62
DLPCR 2.1726	2.1726	15	33	95	52	50	2900	46.2	71.1
DLPCR 9.2309	9.2309	18	33	90	58	57	2500	26	30.5
DLPCR 2.1112	2.1112	18	37	102	59	57	22000	33.5	52
DLPCR 2.1088	2.1088	16	38	110	82	80	2600	92	68
DLPCR 2.1770	2.1770	16	38	95	52	50	2740	32	31
DLPCR 9.2444	9.2444	18	40	109	63	60	21000	40	57
DLPCR 2.1802/M	2.1802/M	20	45	102	70	68	2330	66.1	114.3
DLPCR 2.1640	2.1640	20	47	168	112	108	610	123	260
DLPCR 2.1869	2.1869	20	47	145	116.6	115	8300	108.8	135
DLPCR 9.1880	9.1880	20	47	145	117	115	20000	102	124
DLPCR 2.1897	2.1897	20	47	172	116	115	1860	102	125
DLPCR 2.2332	2.2332	20	47	110	72	70	2000	75	113.5
DLPCR 9.2301	9.2301	25	48	133	85	83	2000	68	94
DLPCR 9.2295	9.2295	25	50	90	60	58	1900	82	140
DLPCR 2.1484	2.1484	20	52	225	160	159	7000	151	248
DLPCR 9.2422	9.2422	28	52	110	72	69	16000	48	68
DLPCR 2.1701	2.1701	30	56	105	67	65	13000	44.2	77
DLPCR 9.2298	9.2298	30	56	133	85	83	700	68	133
DLPCR 2.1090	2.1090	24	58	110	82	80	1700	142.2	100.6
DLPCR 9.2244	9.2244	34	58	110	82	80	1760	117	181.7
DLPCR 9.2292	9.2292	24	58	110	82	82	1700	116	183
DLPCR 2.1797	2.1797	20	60	148	102	100	14000	88.2	174
DLPCR 9.2428	9.2428	25	60	170	132	130	800	58	74

Das Lager Code	Reference Code	Dimension(mm)					Limiting Speed (rpm)	Load Rating(kN)	
		d	D	H	A	B		Cr	C0r
DLPCR 9.2479	9.2479	30	60	99.5	58.5	56.5	15000	52	77
DLPCR 9.2495	9.2495	30	60	201	161	160	13000	50	71
DLPCR 9.2532	9.2532	30	60	120	85	84	4500	69	100
DLPCR 9.2106	9.2106	35	65	200	136.1	136.1	1600	161.7	335.5
DLPCR 2.1551	2.1551	28	66	110	82	80	500	128	209
DLPCR 9.2208	9.2208	29.2	68	140	106	100	1530	176	305
DLPCR 9.2212	9.2212	29.2	68	197	106	100	1530	176	305
DLPCR 9.2237	9.2237	40	71	165	125	125	11000	144	236
DLPCR 9.2277	9.2277	28	76	140	106	100	1360	198.5	356.5
DLPCR 2.1087	2.1087	30	78	190	140	136	5000	149	148
DLPCR 2.1874	2.1874	35	80	201	~	160.3	1300	178.7	297
DLPCR 9.2403	9.2403	35	80	210	170	170	1300	231	400
DLPCR 9.2404	9.2404	35	80	130	90	90	1300	185	300
DLPCR 9.2434	9.2434	40	80	210	150	150	4300	165	220
DLPCR 9.2438	9.2438	35	80	201	160	160	1300	174	288
DLPCR 2.1069	2.1069	35	82	180	100	96	1300	486	692
DLPCR 9.2445	9.2445	30	88	158	118	106	1290	226	366
DLPCR 9.2460	9.2460	30	88	182	142	130	1290	298	526
DLPCR 2.1847	2.1847	45	90	141	~	100	920	146.8	182.5
DLPCR 9.2303	9.2303	45	92	198	158	156	3450	236.7	379.7
DLPCR 9.1972	9.1972	42	93	183	111	109	1300	164.5	190.5
DLPCR 9.1870	9.1870	40	95	288	200	177	1090	295	359
DLPCR 9.2655	9.2655	45	95	257	217	215	4000	216	302
DLPCR 9.2656	9.2656	45	95	390	350	348	4000	216	303
DLPCR 2.1879	2.1879	40	100	278	200	196	9000	35.5	62
DLPCR 9.2159	9.2159	45	100	246	~	200	5500	196	282
DLPCR 9.2657	9.2657	50	100	222	182	180	4000	270	382
DLPCR 9.2658	9.2658	50	100	337	297	295	4000	270	382
DLPCR 9.2103	9.2103	35	110	129	66	63	930	177	286
DLPCR 9.2299	9.2299	70	120	377	317	315	3500	282	310
DLPCR 9.2134	9.2134	60	124	196	156	146	770	520	1067
DLPCR 9.2207	9.2207	60	127	440	~	190	700	469	1195
DLPCR 9.2120	9.2120	70	130	320	220	210	730	458	1254
DLPCR 9.2622	9.2622	45	130	236	186	170	840	539	943
DLPCR 9.2348	9.2348	50	155	260	200	180	770	700	1300
DLPCR 9.2595	9.2595	75	200	300	215	200	450	1000	1860
DLPCR 9.2541	9.2541	90	250	380	270	250	450	1400	2900

Double Counter Rollers (DLDCR)



Das Lager Code	Reference Code	Dimension(mm)						Limiting Speed (rpm)	Load Rating(kN)	
		d	D	H	A	B1	B		Cr	C0r
DLDCR 9.2633	9.2633	12	38	132	112	104	47	2700	68	108
DLDCR 9.2431	9.2431	24	58	206	176	168	74	1700	232	374
DLDCR 9.2597	9.2597	28	68	230	200	190	85	1200	275	520
DLDCR 2.0311	2.0311	35	82	225	176	162	63	1600	230	298
DLDCR 9.2574	9.2574	35	86	250	210	190	85	1000	400	660
DLDCR 9.2155	9.2155	35	87	225	176	162	63	1600	230	298
DLDCR 9.2217	9.2217	35	88	232	183	169	69	1000	361	545
DLDCR 9.2468	9.2468	35	88	260	173	159	64	1200	270	400
DLDCR 9.2269	9.2269	35	96	266	216	200	90	1100	380	627
DLDCR 9.2315	9.2315	35	96	266	176	160	70	1000	378	594
DLDCR 9.2466	9.2466	35	96	306	256	240	110	1100	547	981
DLDCR 9.2104	9.2104	50	100	225	176	162	63	1600	336	466
DLDCR 9.2220	9.2220	36	110	294	244	234	105	710	606	1014
DLDCR 9.2247	9.2247	36	110	324	276	252	115	1000	650	1098
DLDCR 9.2291	9.2291	35	110	225	176	162	63	1200	286	429
DLDCR 9.2133	9.2133	55	124	266	216	204	90	780	655	1067
DLDCR 9.2621	9.2621	55	130	330	280	260	120	700	850	1460



Das Lager Code	Reference Code	Dimension(mm)										Limiting Speed (rpm)	Load Rating(kN)	
		d	D	C	B	B1	C1	b	b1	d1	R		Cr	C0r
DLDMRSC.0012	MRSC.0012	12	25.5	30	32	61.5	25	4.5	2	9	140	4500	9	15
DLDMRSC.0014	MRSC.0014	14	27	41	43	75	25	5	2.5	11	140	4500	13.5	20
DLDMRSC.0015	MRSC.0015	15	31	44	46	77	38	6	2.5	12	145	4500	18	23
DLDMRSC.0016	MRSC.0016	15	31	46	48	82	38	6	2.5	12	145	4500	19	23
DLDMRSC.0017	MRSC.0017	18	33	57	58	90	39	5	2.5	15	145	4300	20	37
DLDMRSC.0018	MRSC.0018	18	36	62	64	95	34	6	2.5	15	145	4000	25	46
DLDMRSC.0019	MRSC.0019	20	41	48	50	81	40	6	2.5	17	50	2000	34	52
DLDMRSC.0020	MRSC.0020	20	41	68	70	110	42	7	2.5	17	145	1200	40	68
DLDMRSC.0023	MRSC.0023	25	48	58	60	95	48	6	2.5	22	145	1000	40	75
DLDMRSC.0024	MRSC.0024	25	48	83	85	133	59	7	2.5	22	180	1000	66	112
DLDMRSC.0025	MRSC.0025	25	52	78	80	138	60	7	3	22	180	1000	79	124
DLDMRSC.0026	MRSC.0026	28	52	69	72	110	55	7	3	25	180	1000	45	110
DLDMRSC.0028	MRSC.0028	30	56	83	85	133	59	7	3	27	180	750	67	132
DLDMRSC.0029	MRSC.0029	30	60	57	58.5	99.5	46	10	5	27	180	1000	62	109
DLDMRSC.0030	MRSC.0030	32	63	83	85	133	51	7	3	27	180	600	75	118
DLDMRSC.0032	MRSC.0032	32.22	66	103	105	178	93	7	3	29	180	400	104	130
DLDMRSC.0050	MRSC.0050	50	83	128	130	190	94	9	4	45.5	180	400	120	300

Thank You For Your Kind Attention



- Contact Us

Eskişehir O.S.B. 20.Cadde No:35 ESKİŞEHİR - Turkey
+90 (222) 236.22.05
info@daslager.com.tr